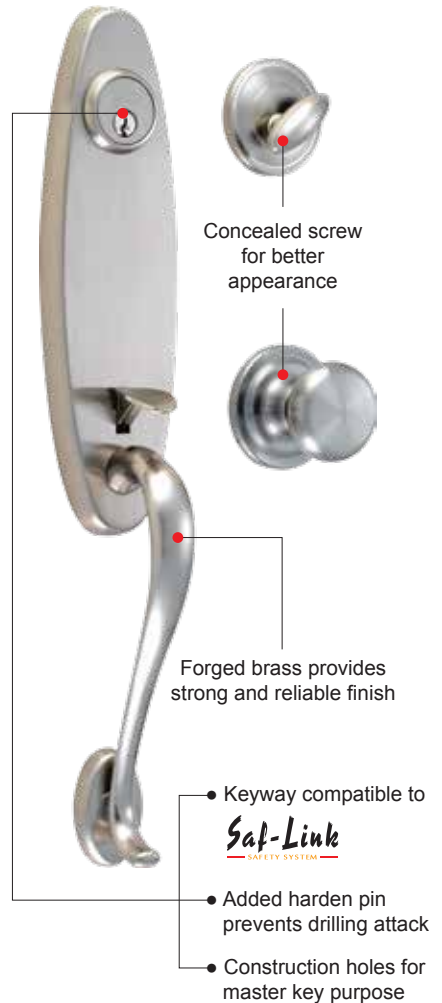




ADVANTAGES

Collection of unique architectural hardware

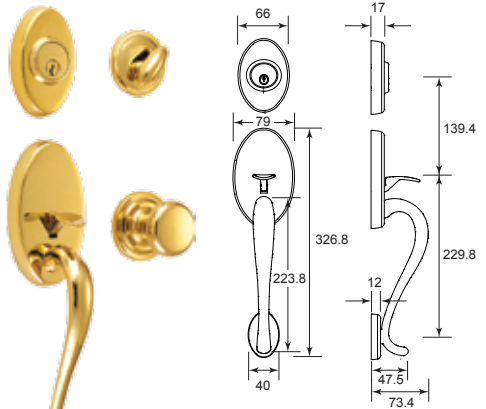
- Forged solid brass full handle
- Solid brass deadbolt with hardened steel rod
- ISO9001 Certified ANSI Grade 3, approved (200,000 cycle tests)
- Provide maximum security and safety
- Applicable for Saf-Link safety & security system



Handleset / Gripset

SPECIFICATIONS:

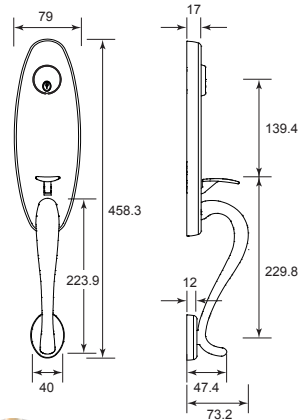
- Application : Residential single and multi-family doors.
- Certifications : ANSI Grade 3.
- Exposed Trim : Handlesets are solid forged brass; wrought brass trim rings.
- Keying : Schlage C Keyway. Locks are keyed 5-pin.
- Door Range : 1 $\frac{1}{8}$ " to 1 $\frac{3}{4}$ " (35mm - 45mm) standard.
- Backset : Universal latch standard, fits either 2 $\frac{3}{8}$ " (60mm) or 2 $\frac{1}{4}$ " (70mm) backsets.
- Warranty : 25 year mechanical warranty.



Handleset / Gripset

SPECIFICATIONS:

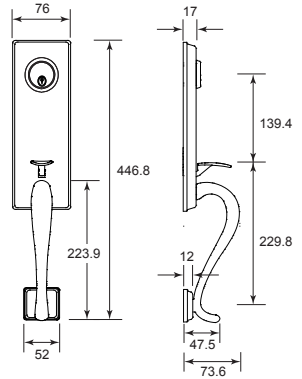
- Application : Residential single and multi-family doors.
- Certifications : ANSI Grade 3.
- Exposed Trim : Handlesets are solid forged brass; wrought brass trim rings.
- Keying : Schlage C Keyway. Locks are keyed 5-pin.
- Door Range : 1 $\frac{1}{8}$ " to 1 $\frac{1}{4}$ " (35mm - 45mm) standard.
- Backset : Universal latch standard, fits either 2 $\frac{3}{8}$ " (60mm) or 2 $\frac{3}{4}$ " (70mm) backsets.
- Warranty : 25 year mechanical warranty.



Handleset / Gripset

SPECIFICATIONS:

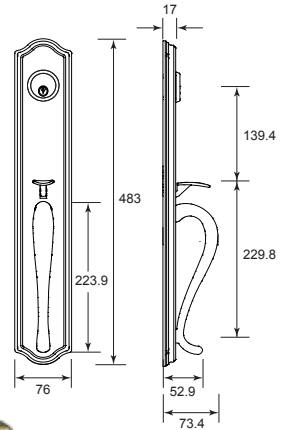
- Application : Residential single and multi-family doors.
- Certifications : ANSI Grade 3.
- Exposed Trim : Handlesets are solid forged brass; wrought brass trim rings.
- Keying : Schlage C Keyway. Locks are keyed 5-pin.
- Door Range : 1 $\frac{1}{8}$ " to 1 $\frac{3}{4}$ " (35mm - 45mm) standard.
- Backset : Universal latch standard, fits either 2 $\frac{3}{8}$ " (60mm) or 2 $\frac{3}{4}$ " (70mm) backsets.
- Warranty : 25 year mechanical warranty.



Handleset / Gripset

SPECIFICATIONS:

- Application : Residential single and multi-family doors.
- Certifications : ANSI Grade 3.
- Exposed Trim : Handlesets are solid forged brass; wrought brass trim rings.
- Keying : Schlage C Keyway. Locks are keyed 5-pin.
- Door Range : 1 $\frac{1}{8}$ " to 1 $\frac{1}{4}$ " (35mm - 45mm) standard.
- Backset : Universal latch standard, fits either 2 $\frac{3}{8}$ " (60mm) or 2 $\frac{1}{4}$ " (70mm) backsets.
- Warranty : 25 year mechanical warranty.



Tubular Knobset

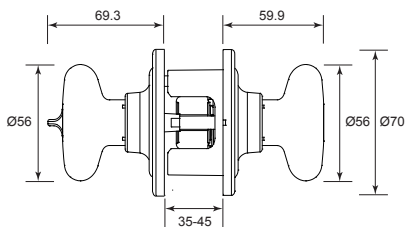


SPECIFICATIONS:

- Application : Residential single and multi-family doors.
- Certifications : ANSI Grade 3.
- Exposed Trim : Wrought brass or Stainless Steel.
- Keying : Schlage C Keyway. Locks are keyed 5-pin.
- Door Range : 1 $\frac{1}{8}$ " to 1 $\frac{3}{4}$ " (35mm - 45mm) standard.
- Backset : Universal latch standard, fits either 2 $\frac{3}{8}$ " (60mm) or 2 $\frac{3}{4}$ " (70mm) backsets.
- Warranty : 25 year mechanical warranty.



TG200-619 SN ENTRANCE
 (also available in 723 PVD & 609 finish)



TG230-723 PVD PRIVACY
 (also available in 619 & 609 finish)



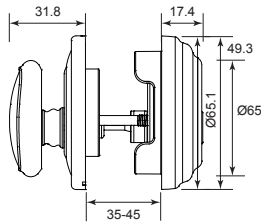
TG282-609 AB PASSAGE
 (also available in 723 PVD & 619 finish)

Single Deadbolt



SPECIFICATIONS:

- Application : Residential single and multi-family doors.
- Certifications : ANSI Grade 3.
- Exposed Trim : Wrought brass or Stainless Steel.
- Keying : Schlage C Keyway. Locks are keyed 5-pin.
- Door Range : 1 $\frac{1}{8}$ " to 1 $\frac{1}{4}$ " (35mm - 45mm) standard.
- Backset : Universal latch standard, fits either 2 $\frac{3}{8}$ " (60mm) or 2 $\frac{3}{4}$ " (70mm) backsets.
- Warranty : 25 year mechanical warranty.



Double Deadbolt



SPECIFICATIONS:

- Application : Residential single and multi-family doors.
- Certifications : ANSI Grade 3.
- Exposed Trim : Wrought brass or Stainless Steel.
- Keying : Schlage C Keyway, Locks are keyed 5-pin.
- Door Range : 1 $\frac{3}{8}$ " to 1 $\frac{3}{4}$ " (35mm - 45mm) standard.
- Backset : Universal latch standard, fits either 2 $\frac{3}{8}$ " (60mm) or 2 $\frac{3}{4}$ " (70mm) backsets.
- Warranty : 25 year mechanical warranty.

