

**PRO-SAFE**

LEADING EDGE IN SAFETY AND SECURITY



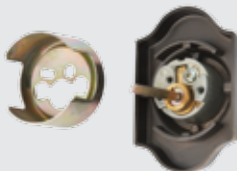
## ADVANTAGES



- ① Additional hardened pin on the latch bolt for better security.
- ② Protection shield prevents the latch bolt from retracting.
- ③ Solid metal cylinder provides better protection and can be upgraded to enhance the security by changing to the high security cylinder.
- ④ Well designed system ensures longer operating life.
- ⑤ Decorative trim knob for better appearance.
- ⑥ Bigger turn piece for easy operation.
- ⑦ Hole guide provides better firm and smoother turn.



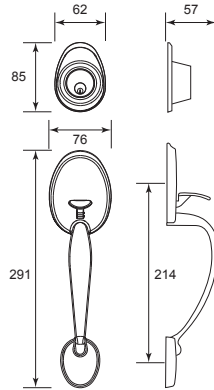
- ⑧ Extra room for upgrade to the 6 pin cylinder.



## Handleset / Gripset

### SPECIFICATIONS:

- Application : Residential single and multi-family doors.
- Certifications : ANSI Grade 3.
- Exposed Trim : Handlesets are zinc based to match finishes indicated.
- Keying : Schlage C Keyway. Locks are keyed 5-pin.
- Door Range : 1 $\frac{1}{8}$ " to 1 $\frac{3}{4}$ " (35mm - 45mm) standard.
- Backset : Universal latch standard, fits either 2 $\frac{3}{8}$ " (60mm) or 2 $\frac{3}{4}$ " (70mm) backsets.
- Warranty : 10 year mechanical warranty.

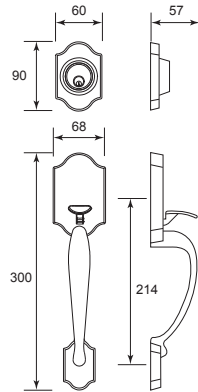


## Handleset / Gripset



### SPECIFICATIONS:

- Application : Residential single and multi-family doors.
- Certifications : ANSI Grade 3.
- Exposed Trim : Handlesets are zinc based to match finishes indicated.
- Keying : Schlage C Keyway. Locks are keyed 5-pin.
- Door Range : 1 $\frac{3}{8}$ " to 1 $\frac{3}{4}$ " (35mm - 45mm) standard.
- Backset : Universal latch standard, fits either 2 $\frac{3}{8}$ " (60mm) or 2 $\frac{3}{4}$ " (70mm) backsets.
- Warranty : 10 year mechanical warranty.



## Tubular Knobset



TA 300-580 PVD ENTRANCE  
(also available in 609 & 616 finish)



TA 300-630 S/S ENTRANCE



TA 330-609 A/B PRIVACY  
(also available in 580, 616 & 630 finish)

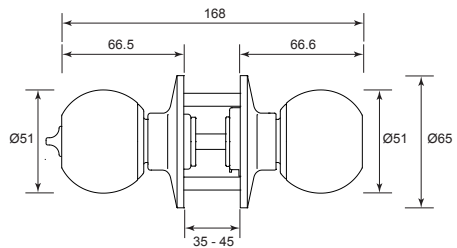


TA 382-616 A/C PASSAGE  
(also available in 580, 609 & 630 finish)



### SPECIFICATIONS:

- Application : Residential single and multi-family doors.
- Certifications : ANSI Grade 3.
- Exposed Trim : Wrought brass or bronze.
- Keying : Schlage C Keyway. Locks are keyed 5-pin.
- Door Range : 1 $\frac{1}{8}$ " to 1 $\frac{1}{4}$ " (35mm - 45mm) standard.
- Backset : Universal latch standard, fits either 2 $\frac{3}{8}$ " (60mm) or 2 $\frac{1}{4}$ " (70mm) backsets.
- Warranty : 25 year mechanical warranty.



TA 3 00 630 S/S		FUNCTION & FINISH		
TA	3	00	ENTRANCE	00
			PRIVACY	30
		PASSAGE	82	
TA	3	00	630 S/S	
			580 PVD	
		630 S/S	609 A/B	
			616 A/C	

## Tubular Knobset



TA 400-580 PVD ENTRANCE  
(also available in 609 & 616 finish)



TA 400-630 S/S ENTRANCE



TA 430-609 A/B PRIVACY  
(also available in 580, 616 & 630 finish)

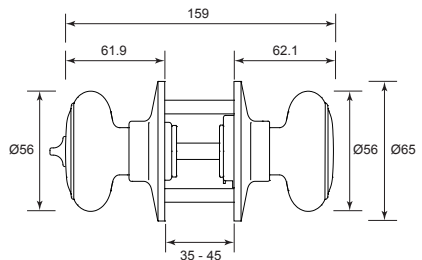


TA 482-616 A/C PASSAGE  
(also available in 580, 609 & 630 finish)

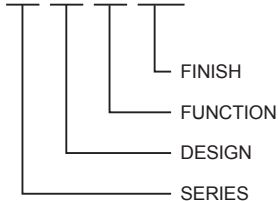


### SPECIFICATIONS:

- Application : Residential single and multi-family doors.
- Certifications : ANSI Grade 3.
- Exposed Trim : Wrought brass or bronze.
- Keying : Schlage C Keyway. Locks are keyed 5-pin.
- Door Range : 1 $\frac{1}{8}$ " to 1 $\frac{1}{4}$ " (35mm - 45mm) standard.
- Backset : Universal latch standard, fits either 2 $\frac{3}{8}$ " (60mm) or 2 $\frac{1}{2}$ " (70mm) backsets.
- Warranty : 25 year mechanical warranty.



TA 4 00 630 S/S



### FUNCTION & FINISH

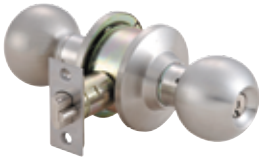
ENTRANCE	00
PRIVACY	30
PASSAGE	82

630 S/S
580 PVD
609 A/B
616 A/C

## Cylindrical Knobset



CA 300-580 PVD ENTRANCE  
(also available in 609 & 616 finish)



CA 300-630 S/S ENTRANCE



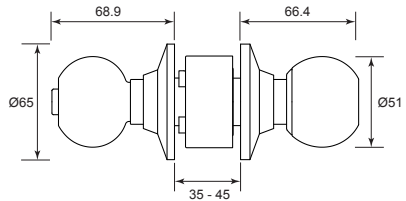
CA 330-609 A/B PRIVACY  
(also available in 580, 616 & 630 finish)



CA 382-616 A/C PASSAGE  
(also available in 580, 609 & 630 finish)

**SPECIFICATIONS:**

- Application : Residential single and multi-family doors.
- Certifications : ANSI Grade 3.
- Exposed Trim : Wrought brass or bronze.
- Keying : Schlage C Keyway. Locks are keyed 5-pin.
- Door Range : 1 1/8" to 1 3/4" (35mm - 45mm) standard.
- Backset : 2 3/8" (60mm)
- Warranty : 25 year mechanical warranty.



CA 3 00 630 S/S

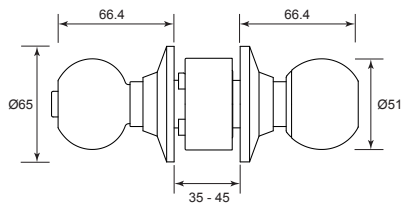
FUNCTION & FINISH	
ENTRANCE	00
PRIVACY	30
PASSAGE	82
630 S/S	
580 PVD	
609 A/B	
616 A/C	

## Cylindrical Knobset - Storeroom Lock



**SPECIFICATIONS:**

- Application : Residential single and multi-family doors.
- Certifications : ANSI Grade 3.
- Exposed Trim : Wrought brass or bronze.
- Keying : Schlage C Keyway. Locks are keyed 5-pin.
- Door Range : 1 $\frac{3}{8}$ " to 1 $\frac{3}{4}$ " (35mm - 45mm) standard.
- Backset : 2 $\frac{3}{8}$ " (60mm)
- Warranty : 25 year mechanical warranty.



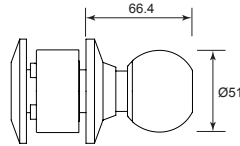


## Cylindrical Knobset - Communicating Lock



### SPECIFICATIONS:

- Application : Residential single and multi-family doors.
- Certifications : ANSI Grade 3.
- Exposed Trim : Wrought brass or bronze.
- Door Range : 1 $\frac{3}{8}$ " to 1 $\frac{3}{4}$ " (35mm - 45mm) standard.
- Backset : 2 $\frac{3}{8}$ " (60mm)
- Warranty : 25 year mechanical warranty.

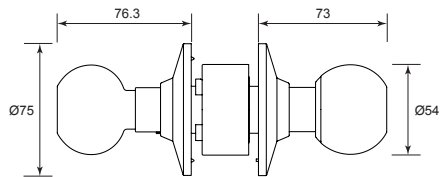


## Cylindrical Knobset - Double Cylinder Lock

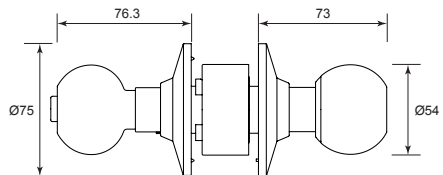


### SPECIFICATIONS:

- Application : Residential single and multi-family doors.
- Certifications : ANSI Grade 3.
- Exposed Trim : Wrought brass or bronze.
- Keying : Schlage C Keyway. Locks are keyed 5-pin.
- Door Range : 1 $\frac{3}{8}$ " to 1 $\frac{3}{4}$ " (35mm - 45mm) standard.
- Backset : 2 $\frac{3}{4}$ " (70mm)
- Warranty : 25 year mechanical warranty.



## Cylindrical Knobset - Heavy Duty

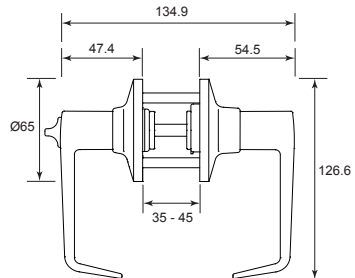


# Tubular Leverset



**SPECIFICATIONS:**

- Application : Residential single and multi-family doors.
- Certifications : ANSI Grade 3.
- Exposed Trim : Wrought brass or bronze.
- Levers are zinc based plated to match finishes indicated.
- Keying : Schlage C Keyway. Locks are keyed 5-pin.
- Door Range : 1 $\frac{3}{8}$ " to 1 $\frac{3}{4}$ " (35mm - 45mm) standard.
- Backset : Universal latch standard, fits either 2 $\frac{3}{8}$ " (60mm) or 2 $\frac{3}{4}$ " (70mm) backsets.
- Warranty : 25 year mechanical warranty.



TE 6 00 619 S/N

**FUNCTION & FINISH**

ENTRANCE 00  
PRIVACY 30  
PASSAGE 82

FINISH  
FUNCTION

619 S/N

MODEL  
SERIES

## Tubular Leverset



TF 600-580 PVD  
(also available in 609 & 616 finish)



TF 600-619 S/N ENTRANCE



TF 630-609 A/B PRIVACY  
(also available in 580, 616 & 619 finish)

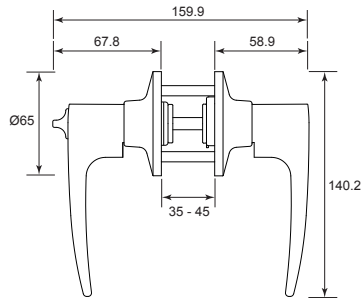


TF 682-616 A/C PASSAGE  
(also available in 580, 609 & 619 finish)

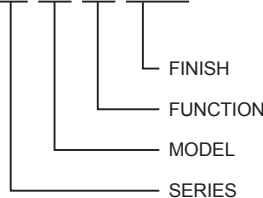


### SPECIFICATIONS:

- Application : Residential single and multi-family doors.
- Certifications : ANSI Grade 3.
- Exposed Trim : Wrought brass or bronze.  
Levers are zinc based plated to match finishes indicated.
- Keying : Schlage C Keyway. Locks are keyed 5-pin.
- Door Range : 1 $\frac{3}{8}$ " to 1 $\frac{3}{4}$ " (35mm - 45mm) standard.
- Backset : Universal latch standard, fits either 2 $\frac{3}{8}$ " (60mm) or 2 $\frac{3}{4}$ " (70mm) backsets.
- Warranty : 25 year mechanical warranty.



TF 6 00 619 S/N



### FUNCTION & FINISH

ENTRANCE	00
PRIVACY	30
PASSAGE	82

619 S/N  
580 PVD  
609 A/B  
616 A/C

# Tubular Left/Right Handed Leverset



TF 700-580 PVD  
(also available in 609 & 616 finish)



TF 700-619 S/N ENTRANCE



TF 730-609 A/B PRIVACY  
(also available in 580, 616 & 619 finish)

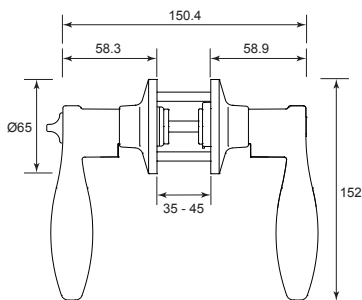


TF 782-616 A/C PASSAGE  
(also available in 580, 609 & 619 finish)

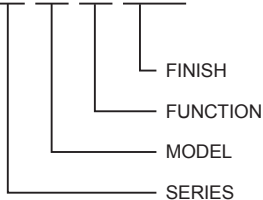


**SPECIFICATIONS:**

- Application : Residential single and multi-family doors.
- Certifications : ANSI Grade 3.
- Exposed Trim : Wrought brass or bronze.  
Lever handles are zinc based plated to match finishes indicated.
- Keying : Schlage C Keyway. Locks are keyed 5-pin.
- Door Range : 1 1/4" to 1 3/4" (35mm - 45mm) standard.
- Backset : Universal latch standard, fits either 2 3/8" (60mm) or 2 1/2" (70mm) backsets.
- Warranty : 25 year mechanical warranty.



TF 7 00 619 S/N



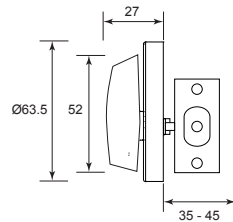
**FUNCTION & FINISH**

ENTRANCE	00
PRIVACY	30
PASSAGE	82
619 S/N	
580 PVD	
609 A/B	
616 A/C	

## Keyless Deadbolt

### SPECIFICATIONS:

- Application : Residential single and multi-family doors.
- Certifications : ANSI Grade 3.
- Exposed Trim : Wrought brass or bronze.
- Keying : Schlage C Keyway. Locks are keyed 5-pin.
- Door Range : 1 $\frac{3}{8}$ " to 1 $\frac{1}{4}$ " (35mm - 45mm) standard.
- Backset : Universal latch standard, fits either 2 $\frac{3}{8}$ " (60mm) or 2 $\frac{3}{4}$ " (70mm) backsets.
- Warranty : 25 year mechanical warranty.

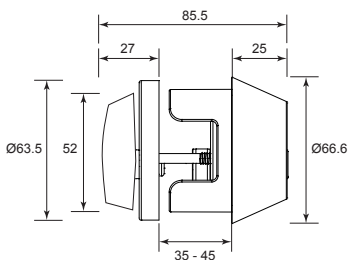


## Single Deadbolt



### SPECIFICATIONS:

- Application : Residential single and multi-family doors.
- Certifications : ANSI Grade 3.
- Exposed Trim : Wrought brass or bronze.
- Keying : Schlage C Keyway. Locks are keyed 5-pin.
- Door Range : 1 $\frac{3}{8}$ " to 1 $\frac{1}{4}$ " (35mm - 45mm) standard.
- Backset : Universal latch standard, fits either 2 $\frac{3}{8}$ " (60mm) or 2 $\frac{3}{4}$ " (70mm) backsets.
- Warranty : 25 year mechanical warranty.

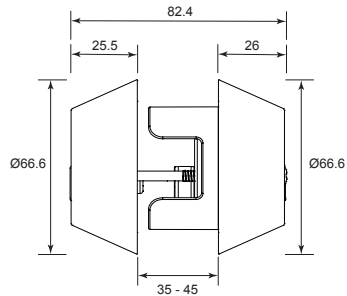


## Double Deadbolt



### SPECIFICATIONS:

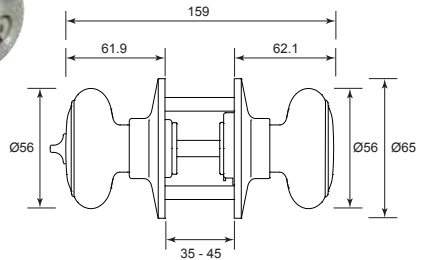
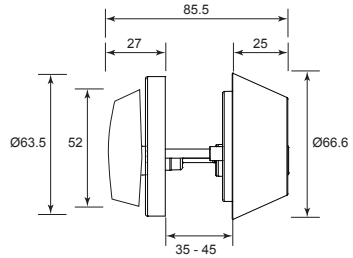
- Application : Residential single and multi-family doors.
- Certifications : ANSI Grade 3.
- Exposed Trim : Wrought brass or bronze.
- Keying : Schlage C Keyway. Locks are keyed 5-pin.
- Door Range : 1 $\frac{3}{8}$ " to 1 $\frac{3}{4}$ " (35mm - 45mm) standard.
- Backset : Universal latch standard, fits either 2 $\frac{3}{8}$ " (60mm) or 2 $\frac{3}{4}$ " (70mm) backsets.
- Warranty : 25 year mechanical warranty.



# Combination Security Lockset

**SPECIFICATIONS:**

- Application : Residential single and multi-family doors.
- Certifications : ANSI Grade 3.
- Exposed Trim : Wrought brass or bronze.
- Keying : Schlage C Keyway. Locks are keyed 5-pin.
- Door Range : 1 1/8" to 1 3/4" (35mm - 45mm) standard.
- Backset : Universal latch standard, fits either 2 3/8" (60mm) or 2 3/4" (70mm) backsets.
- Warranty : 25 year mechanical warranty.

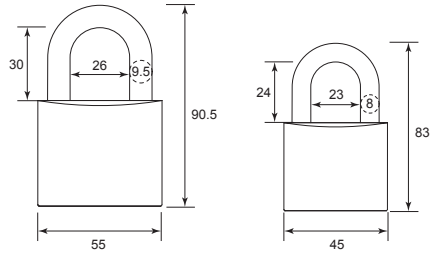


## Trim Plate For Combination Lock

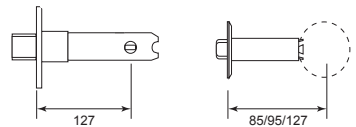




## Safety Plus Padlock



## Cylindrical & Tubular Latches



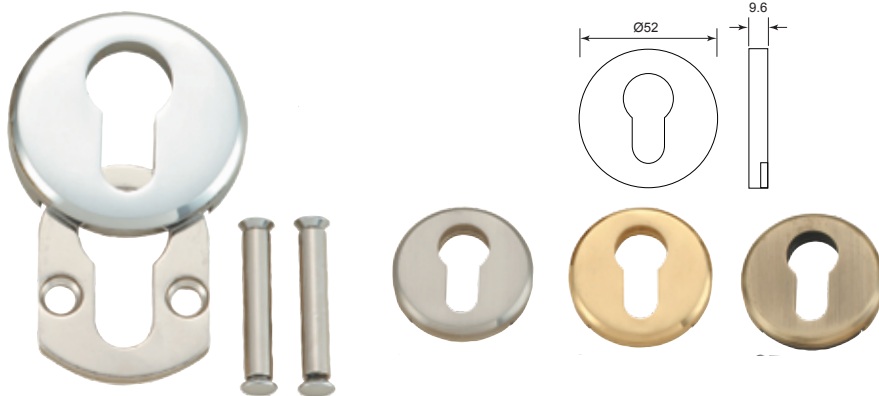
## One-Way Screw



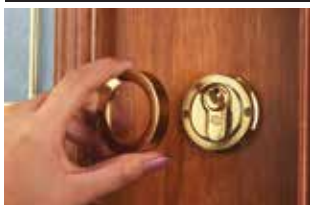
## Key Blank



# Security Escutcheon



## How easy a break-in can occur on your normal unprotected escutcheon



A. The normal escutcheon rose.  
B. Turn off the external cover.



C. Remove the screws and take off the internal cover.



D. Tighten up with a switch wrench and swing it. (cylinder is exposed by at least 10mm).



E. The profile cylinder can be broken off easily.

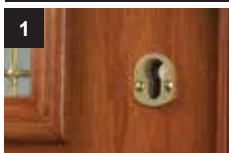


F. Put in a new profile cylinder.

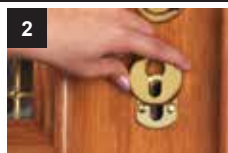


G. Door can be opened as usual.

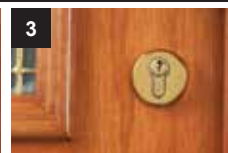
## Security Cylinder Protector will Provide You The Ideal Solution.



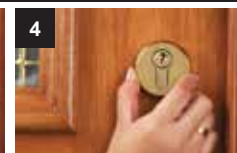
1 Install the escutcheon base using "Bolt Thru Screw".



2 Slot in the escutcheon cover.



3 Install the profile cylinder.

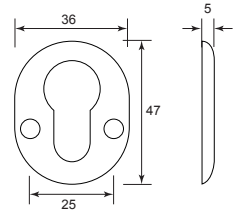


4 Once installation is completed. The escutcheon cover cannot be removed.

# CYLINDER PROTECTOR

**PRO-SAFE**  
LEADING EDGE IN SAFETY AND SECURITY

## Security Cylinder Protector



### How easy a break-in can occur on your normal unprotected escutcheon



A. Remove lever plate.

B. Tighten up with a switch wrench and swing it. (cylinder is exposed by at least 10mm).

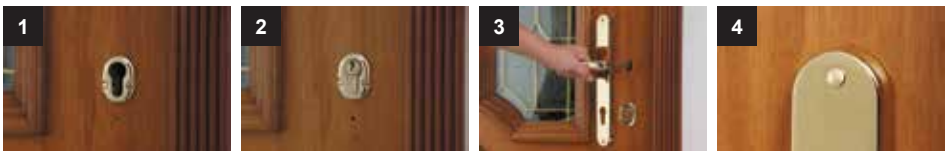
C. The profile cylinder can be broken off easily.



D. Put in a new profile cylinder.

E. Door can be opened as usual.

### Security Cylinder Protector will Provide You The Ideal Solution.



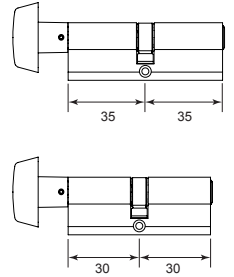
1  
Install the security cylinder protector using "Bolt Thru Screws".

2  
Install the profile cylinder.

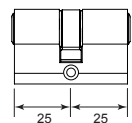
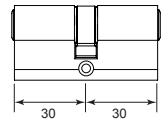
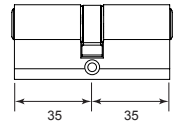
3  
Install lever handle to the door using SES 3220 "Bolt Thru Screws".

4  
Completely installed SES 3220 screws prevent lever handle from remove.

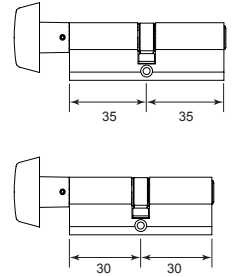
## Single Cylinder



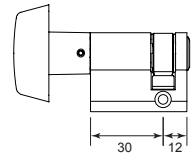
## Double Cylinder



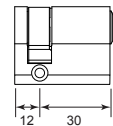
## Thumbturn Privacy



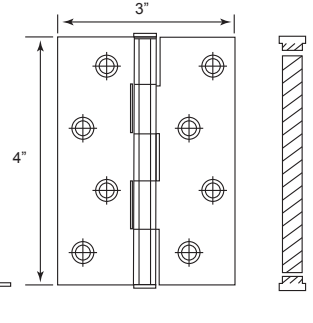
## Thumbturn Half Cylinder



## Half Cylinder



## Stainless Steel Hinges



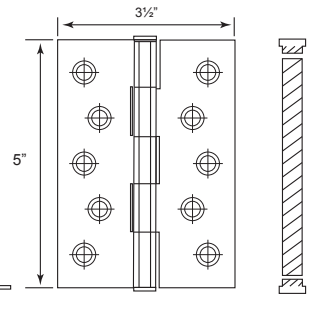
**SPECIFICATIONS:**

- For timber door
- Suitable for both left and right hand door
- Material : Stainless Steel SUS 304

Code No.	Height (H)	Width (W)	Thickness (T)	Finish
SH432FT	102mm/4"	76mm/3"	2.0mm	S/S

Recommendation : 3 pieces per door

2.0mm Thickness Hinges: 25 - 40Kgs Per Door



**SPECIFICATIONS:**

- For timber door
- Suitable for both left and right hand door
- Material : Stainless Steel SUS 304

Code No.	Height (H)	Width (W)	Thickness (T)	Finish
SH53525FT	127mm/5"	89mm/3½"	2.5mm	S/S

Recommendation : 3 pieces per door

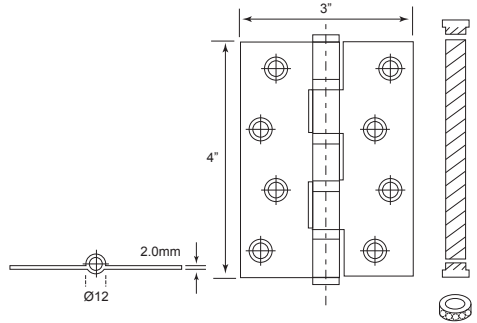
2.5mm Thickness Hinges: 40 - 60Kgs Per Door

## Stainless Steel Hinges



**SPECIFICATIONS:**

- For timber door
- With 4 ball bearings
- Suitable for both left and right hand door
- Material : Stainless Steel SUS 304



Code No.	Height (H)	Width (W)	Thickness (T)	Finish
SH432FT4B	102mm/4"	76mm/3"	2.0mm	S/S

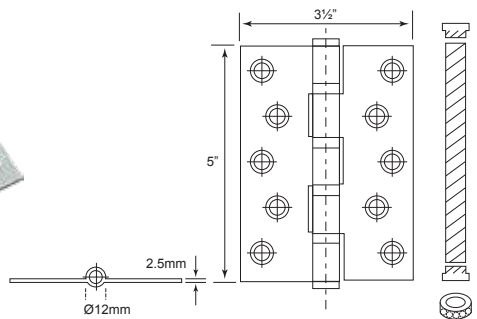
Recommendation : 3 pieces per door

2.0mm Thickness Hinges: 25 - 40Kgs Per Door



**SPECIFICATIONS:**

- For timber door
- With 4 ball bearings
- Suitable for both left and right hand door
- Material : Stainless Steel SUS 304

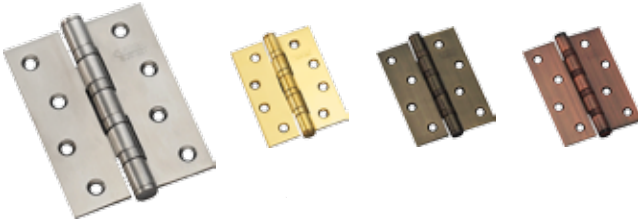


Code No.	Height (H)	Width (W)	Thickness (T)	Finish
SH53525FT4B	127mm/5"	89mm/3½"	2.5mm	S/S

Recommendation : 3 pieces per door

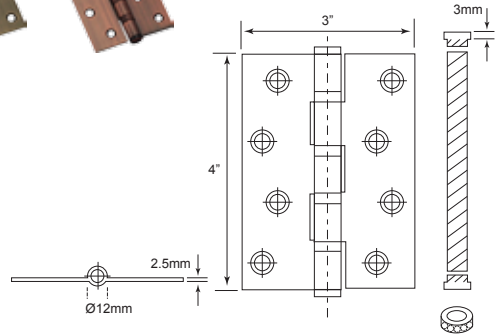
2.5mm Thickness Hinges: 40 - 60Kgs Per Door

## Stainless Steel Hinges



**SPECIFICATIONS:**

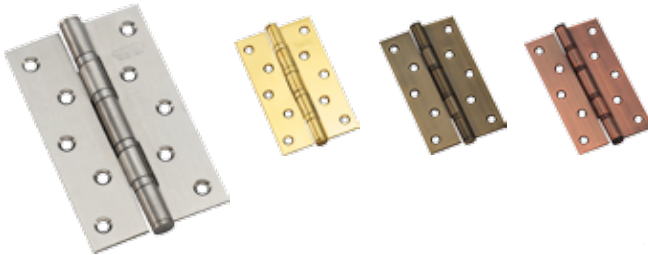
- For timber door
- With 4 ball bearings
- Suitable for both left and right hand door
- Material : Stainless Steel SUS 304



Code No.	Height (H)	Width (W)	Thickness (T)	Finish
SH4325FT4B	102mm/4"	76mm/3"	2.5mm	S/S, PVD, A/B A/C

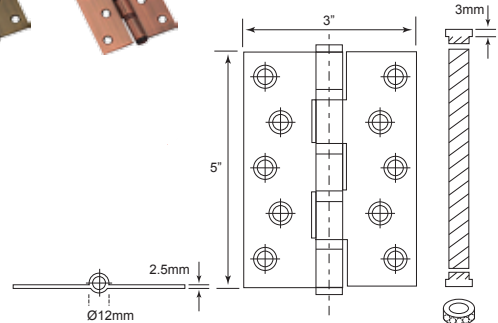
Recommendation : 3 pieces per door

2.5mm Thickness Hinges: 40 - 60Kgs Per Door



**SPECIFICATIONS:**

- For timber door
- With 4 ball bearings
- Suitable for both left and right hand door
- Material : Stainless Steel SUS 304



Code No.	Height (H)	Width (W)	Thickness (T)	Finish
SH5325FT4B	127mm/5"	76mm/3"	2.5mm	S/S, PVD, A/B A/C

Recommendation : 3 pieces per door

2.5mm Thickness Hinges: 40 - 60Kgs Per Door

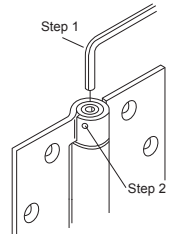
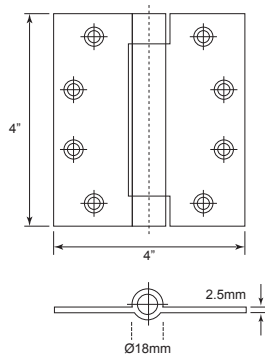


## Stainless Steel Spring Hinges



**SPECIFICATIONS:**

- For timber door
- 180° spring action
- Auto-close after open
- Suitable for both left and right hand door
- Material : Stainless Steel SUS 304



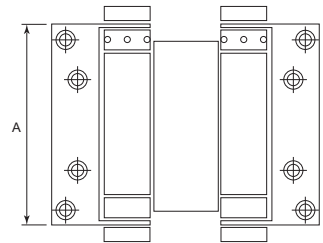
- Step 1 = Adjust spring force using allen key  
Step 2 = Fixing of adjustment spring force with security pin

Code No.	Height (H)	Width (W)	Thickness (T)	Finish
SH2544	102mm/4"	102mm/4"	2.5mm	S/S

Recommendation : 3 pieces per door

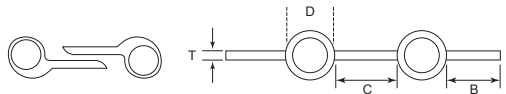
2.5mm Thickness Hinges: 40 - 60Kgs Per Door

## Double Action Spring Hinges



**SPECIFICATIONS:**

- For timber door
- Door swing back after push or pull
- Suitable for both left and right hand door
- Material : Stainless Steel SUS 304

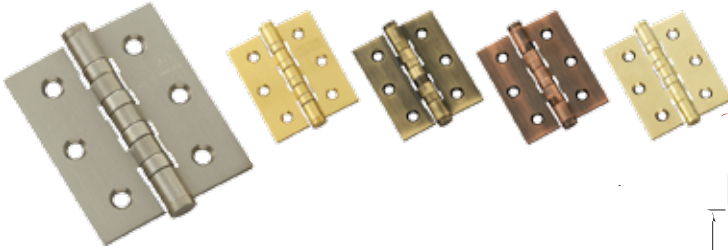


Code No.	(A)	(B)	(C)	(D)	(T)	Finish
DSH5	127mm/5"	29mm	38mm	23mm	2.0mm	S/S
DSH4	102mm/4"	24mm	32mm	19mm	2.0mm	S/S
DSH3	76mm/3"	22mm	32mm	19mm	2.0mm	S/S

Recommendation : 3 pieces per door

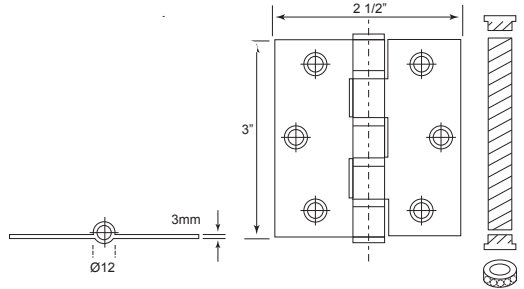
2.0mm Thickness Hinges: 25 - 40Kgs Per Door

## Brass Hinges



**SPECIFICATIONS:**

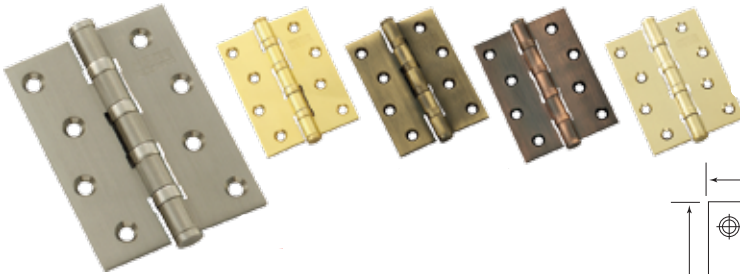
- For timber window
- With 4 ball bearings
- Suitable for both left and right hand door
- Material : Brass



Code No.	Height (H)	Width (W)	Thickness (T)	Finish
BH3253FT4B	76mm/3"	63mm/2½"	3.0mm	S/N, P/B, A/B, A/C, PVD

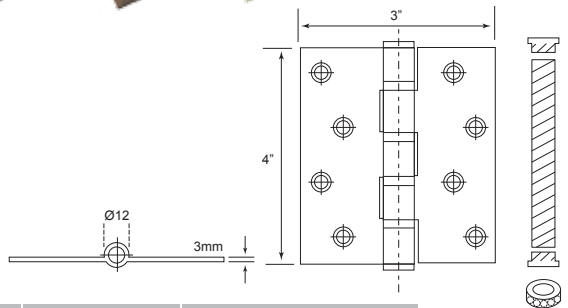
Recommendation : 2 pieces per window

3.0mm Thickness Hinges: 15 - 25Kgs Per Window



**SPECIFICATIONS:**

- For timber door
- With 4 ball bearings
- Suitable for both left and right hand door
- Material : Brass

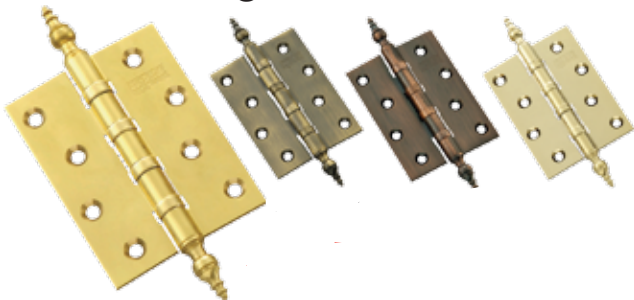


Code No.	Height (H)	Width (W)	Thickness (T)	Finish
BH433FT4B	102mm/4"	76mm/3"	3.0mm	S/N, P/B, A/B, A/C, PVD

Recommendation : 3 pieces per door

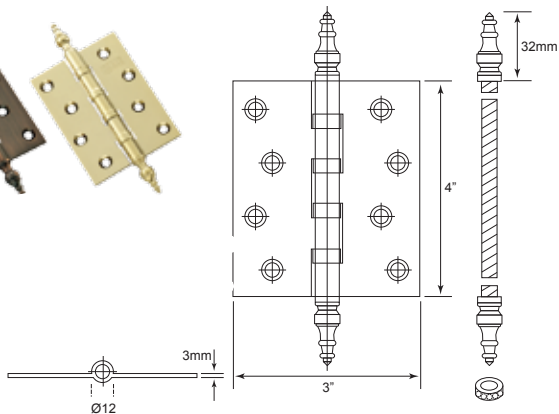
3.0mm Thickness Hinges: 40 - 60Kgs Per Door

## Brass Hinges



### SPECIFICATIONS:

- For timber door
- With 4 ball bearings and pagoda tips
- Suitable for both left and right hand door
- Material : Brass



Code No.	Height (H)	Width (W)	Thickness (T)	Finish
BH433PT4B	102mm/4"	76mm/3"	3.0mm	P/B, A/B, A/C, PVD

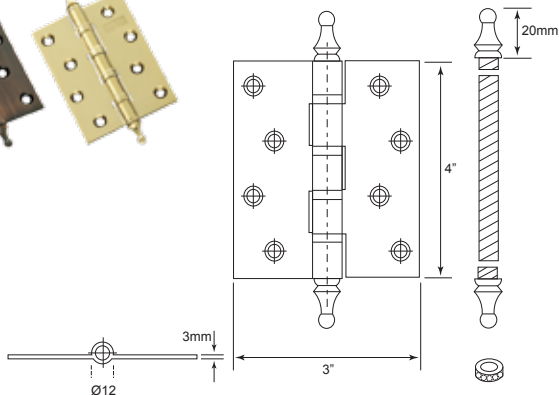
Recommendation : 3 pieces per door

3.0mm Thickness Hinges: 40 - 60Kgs Per Door



### SPECIFICATIONS:

- For timber door
- With 4 ball bearings and crown tips
- Suitable for both left and right hand door
- Material : Brass



Code No.	Height (H)	Width (W)	Thickness (T)	Finish
BH433CT4B	102mm/4"	76mm/3"	3.0mm	P/B, A/B, A/C, PVD

Recommendation : 3 pieces per door

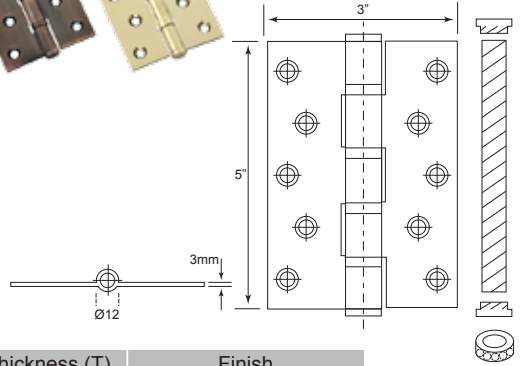
3.0mm Thickness Hinges: 40 - 60Kgs Per Door

## Brass Hinges



**SPECIFICATIONS:**

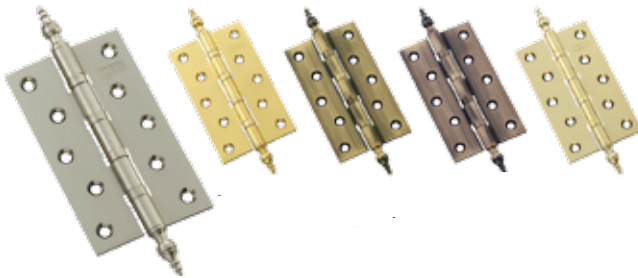
- For timber door
- With 4 ball bearings
- Suitable for both left and right hand door
- Material : Brass



Code No.	Height (H)	Width (W)	Thickness (T)	Finish
BH533FT4B	127mm/5"	76mm/3"	3.0mm	S/N, P/B, A/B, A/C, PVD

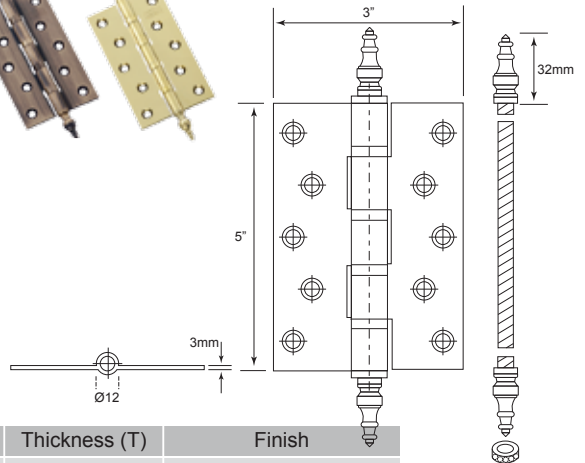
Recommendation : 3 pieces per door

3.0mm Thickness Hinges: 50 - 70Kgs Per Door



**SPECIFICATIONS:**

- For timber door
- With 4 ball bearings and pagoda tips
- Suitable for both left and right hand door
- Material : Brass

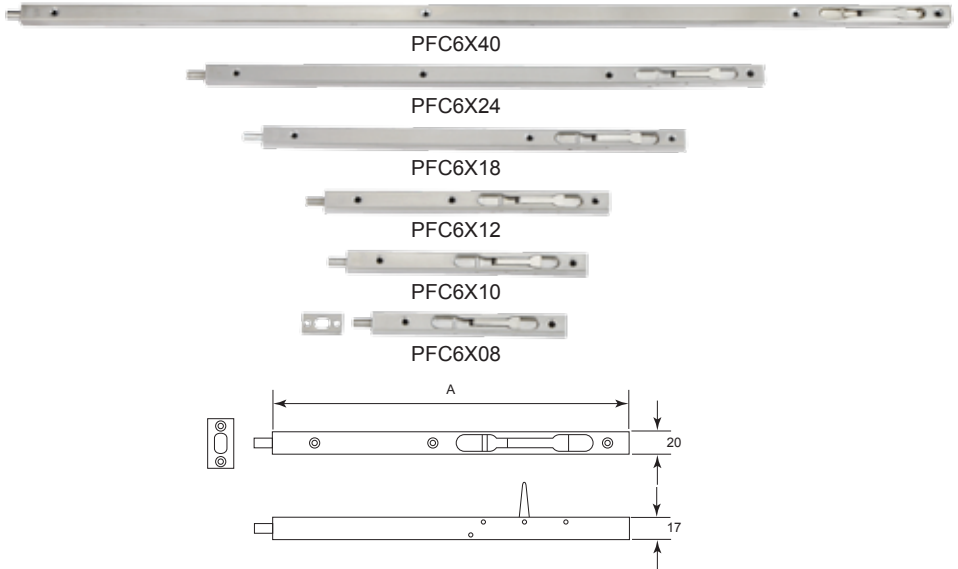


Code No.	Height (H)	Width (W)	Thickness (T)	Finish
BH533PT4B	127mm/5"	76mm/3"	3.0mm	S/N, P/B, A/B, A/C, PVD

Recommendation : 3 pieces per door

3.0mm Thickness Hinges: 50 - 70Kgs Per Door

## Stainless Steel Cassette Flush Bolt



**AVAILABLE COLOR:**



S/S



P/B



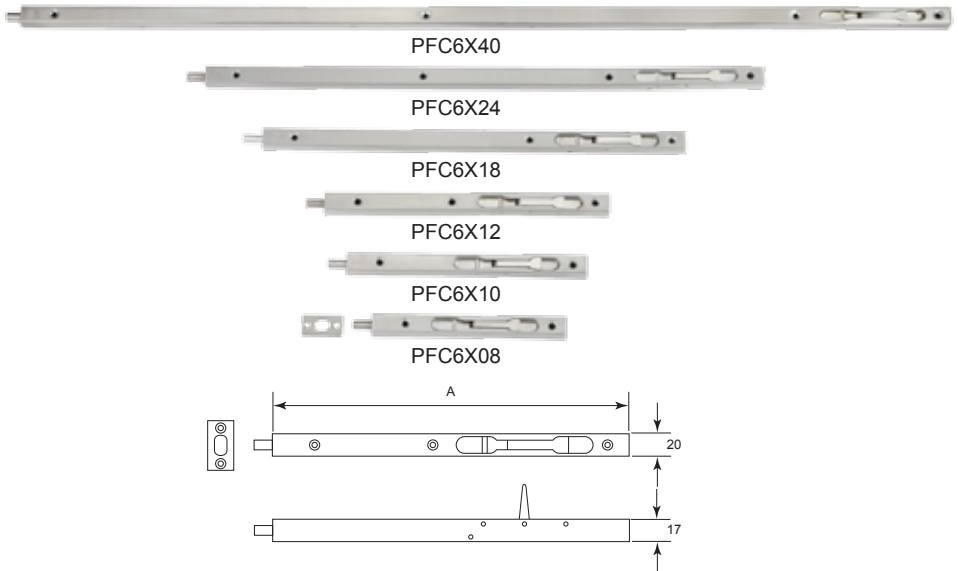
A/B



A/C

Code No.	Size (A)	Material	Finish
PFC66XX	8", 10", 12", 18", 24", 40"	Stainless Steel SUS 304	S/S
PFC67XX	8", 10", 12", 18", 24", 40"	Stainless Steel SUS 304	P/B
PFC68XX	8", 10", 12", 18", 24", 40"	Stainless Steel SUS 304	A/B
PFC69XX	8", 10", 12", 18", 24", 40"	Stainless Steel SUS 304	A/C

## Stainless Steel Cassette Flush Bolt



**AVAILABLE COLOR:**



S/S



P/B



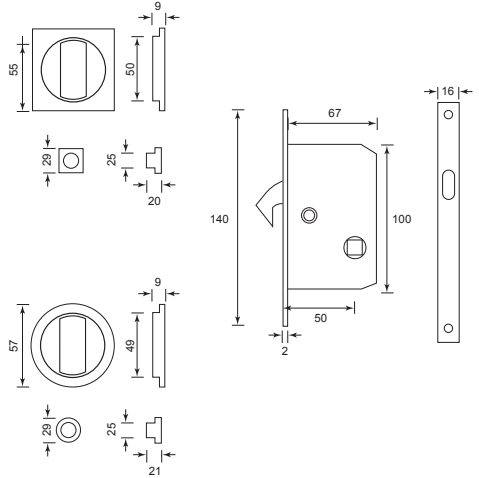
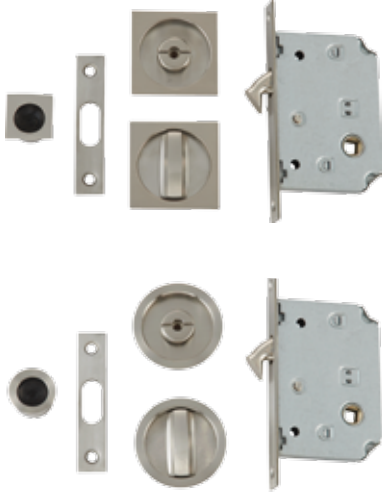
A/B



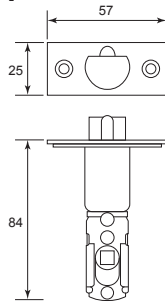
A/C

Code No.	Size (A)	Material	Finish
PFC66XX	8", 10", 12", 18", 24", 30", 40"	Stainless Steel SUS 304	S/S
PFC67XX	8", 10", 12", 18", 24", 40"	Stainless Steel SUS 304	P/B
PFC68XX	8", 10", 12", 18", 24", 40"	Stainless Steel SUS 304	A/B
PFC69XX	8", 10", 12", 18", 24", 40"	Stainless Steel SUS 304	A/C

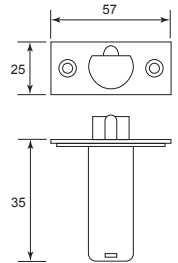
### Sliding Door Lock



### Tubular Latch



### Cylindrical Latch 60mm



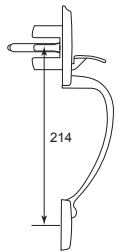
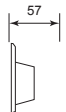
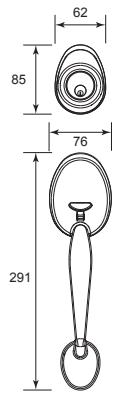
### Keying Kit



### Deadbolt Screw 74mm

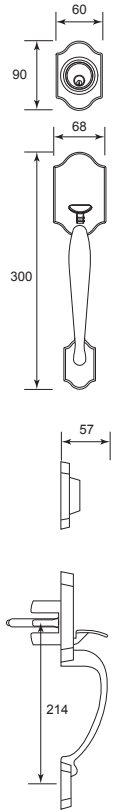


## Solid Brass Entrance Handletset

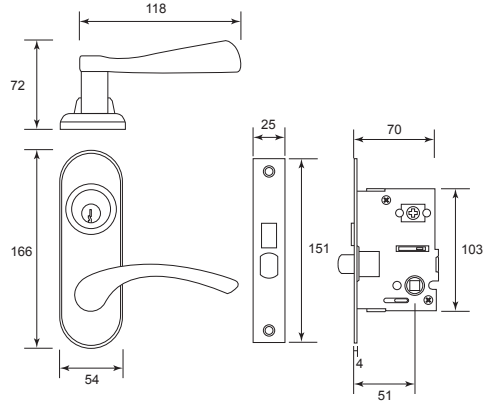




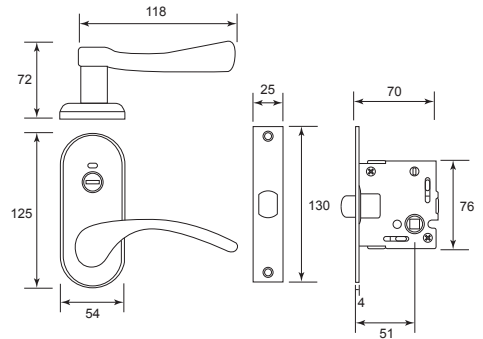
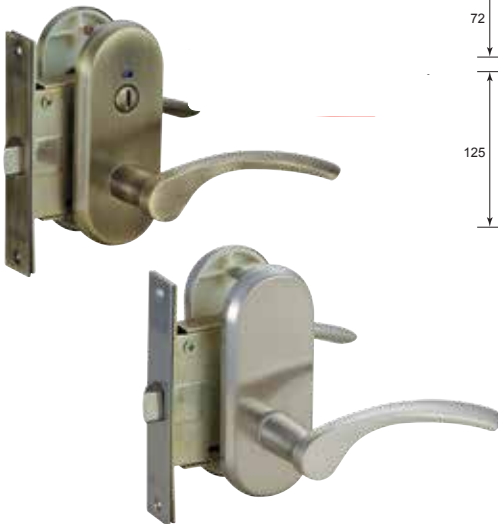
# Solid Brass Entrance Handletset



## Solid Brass Japanese Mortise

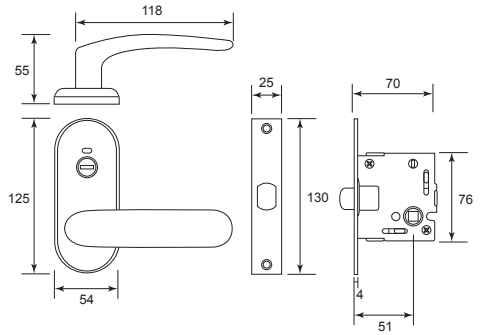


\*Door thickness 32 - 51mm



\*Door thickness 32 - 51mm

## Solid Brass Japanese Mortise



\*Door thickness 32 - 51mm

## Merchandise Stand

