

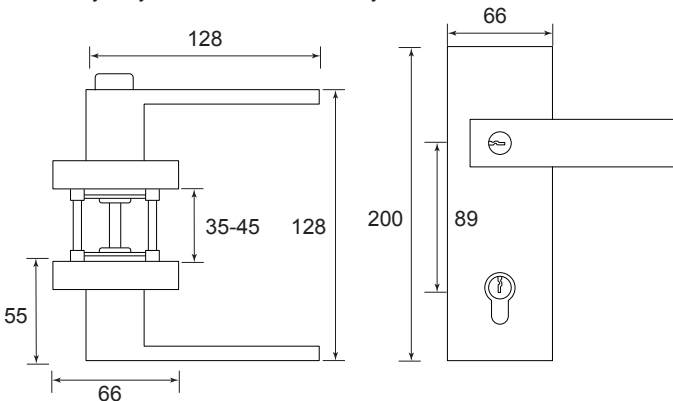


Double Protection Security Lever Set

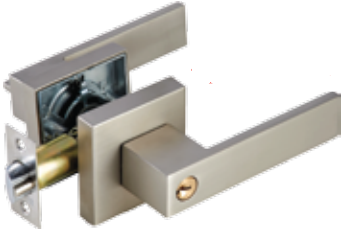


SPECIFICATIONS:

- Application : Residential single and multi-family doors.
- Certifications : Produce according to U.S. specifications.
- Exposed Trim : Wrought brass or Zinc Alloy.
- Keying : Schlage C Keyway. Locks are keyed 5-pin.
- Door Range : 1 3/8" to 1 3/4" (35mm - 45mm) standard.
- Adjustable backset measuring 60 - 70mm.
- Able to replace or fit most of the locks.
- Panic function.
- Warranty : 3 year mechanical warranty.

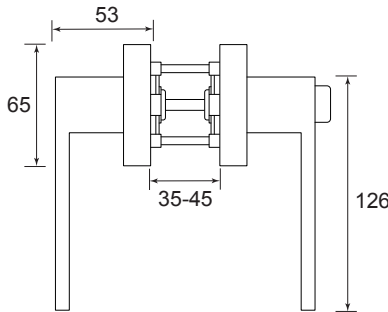
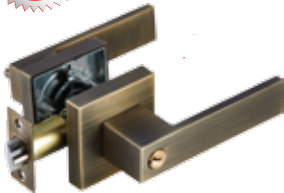


Tubular Leverset



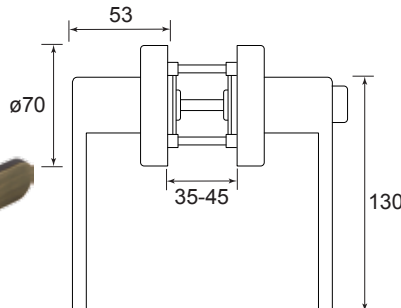
SPECIFICATIONS:

- Application : Residential single and multi-family doors.
- Certifications : Produce according to U.S. specifications.
- Exposed Trim : Wrought brass or Zinc Alloy.
- Keying : Schlage C Keyway. Locks are keyed 5-pin.
- Door Range : 1 1/8" to 1 3/4" (35mm - 45mm) standard.
- Adjustable backset measuring 60 - 70mm.
- Able to replace or fit most of the locks.
- Panic function.
- Warranty : 3 year mechanical warranty.

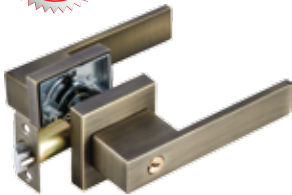


SPECIFICATIONS:

- Application : Residential single and multi-family doors.
- Certifications : Produce according to U.S. specifications.
- Exposed Trim : Wrought brass or Zinc Alloy.
- Keying : Schlage C Keyway. Locks are keyed 5-pin.
- Door Range : 1 1/8" to 1 3/4" (35mm - 45mm) standard.
- Adjustable backset measuring 60 - 70mm.
- Able to replace or fit most of the locks.
- Panic function.
- Warranty : 3 year mechanical warranty.

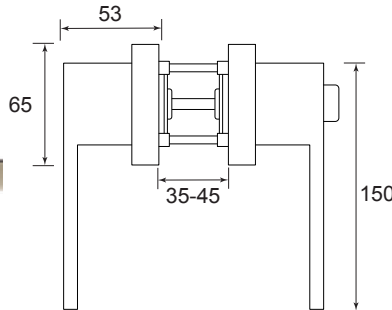


Tubular Leverset



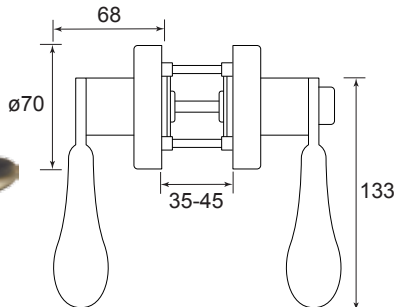
SPECIFICATIONS:

- Application : Residential single and multi-family doors.
- Certifications : Produce according to U.S. specifications.
- Exposed Trim : Wrought brass or Zinc Alloy.
- Keying : Schlage C Keyway. Locks are keyed 5-pin.
- Door Range : 1 5/8" to 1 3/4" (35mm - 45mm) standard.
- Adjustable backset measuring 60 - 70mm.
- Able to replace or fit most of the locks.
- Panic function.
- Warranty : 3 year mechanical warranty.

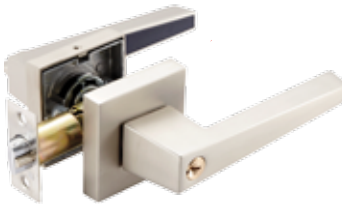


SPECIFICATIONS:

- Application : Residential single and multi-family doors.
- Certifications : Produce according to U.S. specifications.
- Exposed Trim : Wrought brass or Zinc Alloy.
- Keying : Schlage C Keyway. Locks are keyed 5-pin.
- Door Range : 1 5/8" to 1 3/4" (35mm - 45mm) standard.
- Adjustable backset measuring 60 - 70mm.
- Able to replace or fit most of the locks.
- Panic function.
- Warranty : 3 year mechanical warranty.

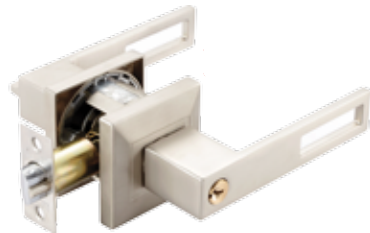
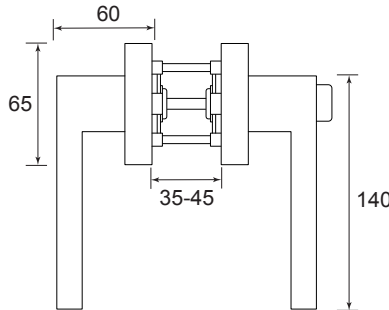
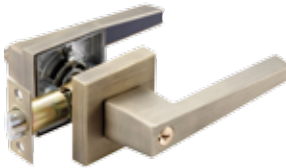


Tubular Leverset



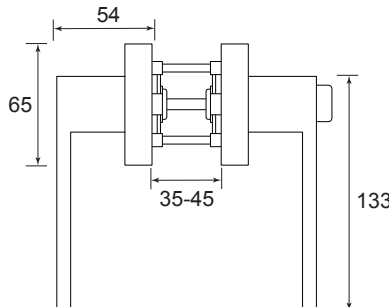
SPECIFICATIONS:

- Application : Residential single and multi-family doors.
- Certifications : Produce according to U.S. specifications.
- Exposed Trim : Wrought brass or Zinc Alloy.
- Keying : Schlage C Keyway. Locks are keyed 5-pin.
- Door Range : 1 $\frac{1}{8}$ " to 1 $\frac{3}{4}$ " (35mm - 45mm) standard.
- Adjustable backset measuring 60 - 70mm.
- Able to replace or fit most of the locks.
- Panic function.
- Warranty : 3 year mechanical warranty.



SPECIFICATIONS:

- Application : Residential single and multi-family doors.
- Certifications : Produce according to U.S. specifications.
- Exposed Trim : Wrought brass or Zinc Alloy.
- Keying : Schlage C Keyway. Locks are keyed 5-pin.
- Door Range : 1 $\frac{1}{8}$ " to 1 $\frac{3}{4}$ " (35mm - 45mm) standard.
- Adjustable backset measuring 60 - 70mm.
- Able to replace or fit most of the locks.
- Panic function.
- Warranty : 3 year mechanical warranty.

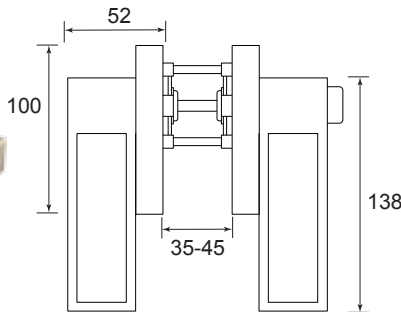


Tubular Leverset



SPECIFICATIONS:

- Application : Residential single and multi-family doors.
- Certifications : Produce according to U.S. specifications.
- Exposed Trim : Wrought brass or Zinc Alloy.
- Keying : Schlage C Keyway. Locks are keyed 5-pin.
- Door Range : 1 1/8" to 1 3/4" (35mm - 45mm) standard.
- Adjustable backset measuring 60 - 70mm.
- Able to replace or fit most of the locks.
- Panic function.
- Warranty : 3 year mechanical warranty.



Advantages



No Sagging



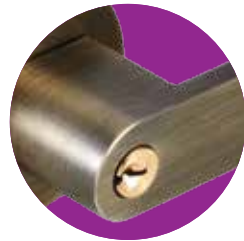
Special Color



Concealed Screws



Panic Function



Basic Master Key System

STEPS OF CHANGING SIDE



STEP 1
Unscrew the stamp part.



STEP 2
Remove it and place aside.



STEP 3
Turn the handle to opposite side.



STEP 4
Reverse the stamp part and tighten the screw.

