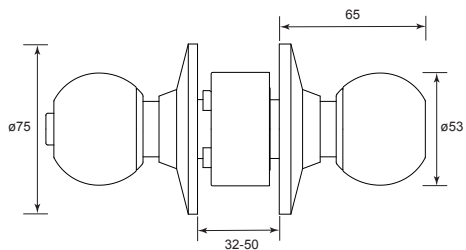


## Cylindrical Knobset



### SPECIFICATIONS:

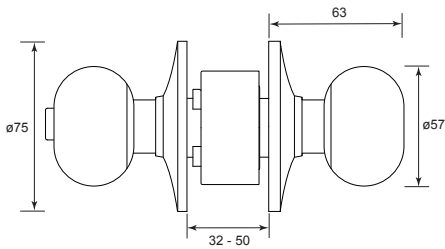
- Application : Residential single and multi-family doors.
- Certifications : Produce according to U.S. specifications.
- Exposed Trim : Wrought brass or Stainless Steel.
- Keying : Schlage C Keyway. Locks are keyed 5-pin.
- Door Range : 1¼" to 2" (32mm - 50mm) standard.
- Backset : 2¾" (60mm), 2¾" (70mm) Upon Request.
- Warranty : 3 year mechanical warranty.



## Cylindrical Knobset

### SPECIFICATIONS:

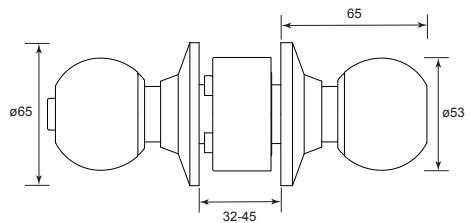
- Application : Residential single and multi-family doors.
- Certifications : Produce according to U.S. specifications.
- Exposed Trim : Wrought brass or Stainless Steel.
- Keying : Schlage C Keyway. Locks are keyed 5-pin.
- Door Range : 1 1/4" to 2" (32mm - 50mm) standard.
- Backset : 2 3/8" (60mm).
- Warranty : 3 year mechanical warranty.



## Cylindrical Knobset

**SPECIFICATIONS:**

- Application : Residential single and multi-family doors.
- Certifications : Produce according to U.S. specifications.
- Exposed Trim : Wrought brass or Stainless Steel.
- Keying : Schlage C Keyway. Locks are keyed 5-pin.
- Door Range : 1¼" to 1¾" (32mm - 45mm) standard.
- Backset : 2¾" (60mm)
- Warranty : 3 year mechanical warranty.

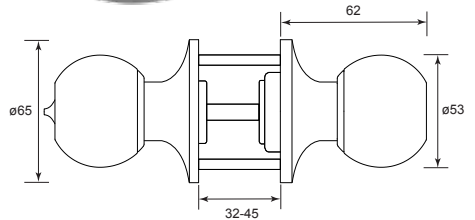


## Tubular Knobset



### SPECIFICATIONS:

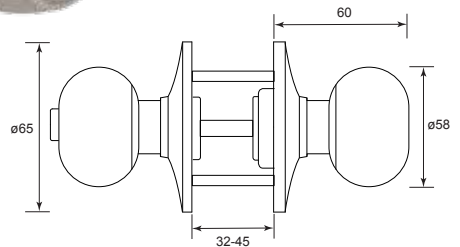
- Application : Residential single and multi-family doors.
- Certifications : Produce according to U.S. specifications.
- Exposed Trim : Wrought brass or Stainless Steel.
- Keying : Schlage C Keyway. Locks are keyed 5-pin.
- Door Range : 1¼" to 1¾" (32mm - 45mm) standard.
- Backset : Universal latch standard, fits either 2¾" (60mm) or 2¾" (70mm).
- Warranty : 3 year mechanical warranty.



# Tubular Knobset

**SPECIFICATIONS:**

- Application : Residential single and multi-family doors.
- Certifications : Produce according to U.S. specifications.
- Exposed Trim : Wrought brass or Stainless Steel.
- Keying : Schlage C Keyway. Locks are keyed 5-pin.
- Door Range : 1¼" to 1¾" (32mm - 45mm) standard.
- Backset : Universal latch standard, fits either 2¾" (60mm) or 2¼" (70mm).
- Warranty : 3 year mechanical warranty.

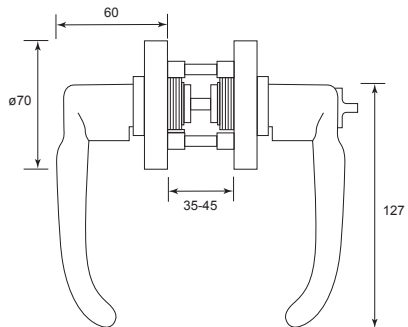


## Tubular Leverset



### SPECIFICATIONS:

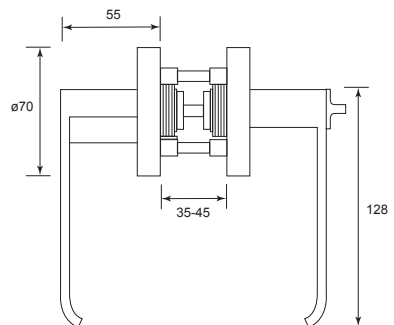
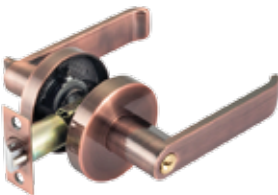
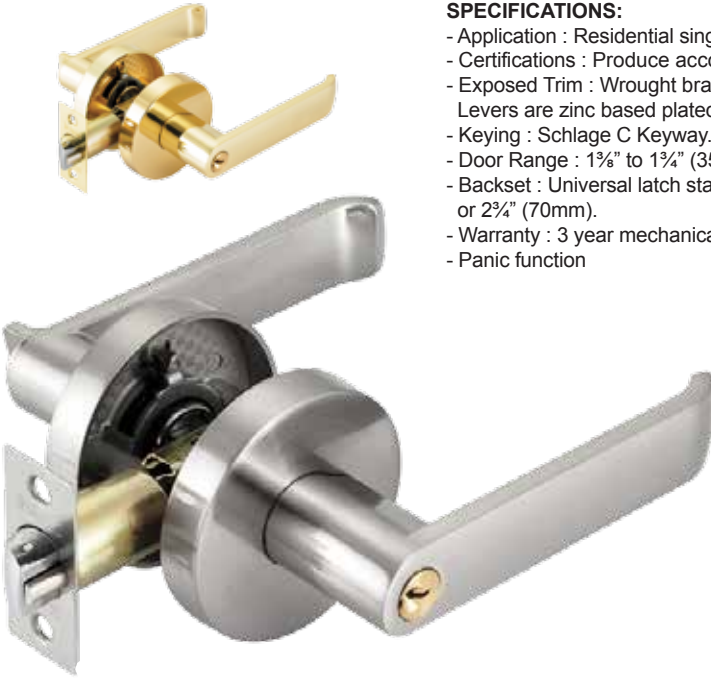
- Application : Residential single and multi-family doors.
- Certifications : Produce according to U.S. specifications.
- Exposed Trim : Wrought brass or Stainless Steel.  
Levers are zinc based plated to match finishes indicated.
- Keying : Schlage C Keyway. Locks are keyed 5-pin.
- Door Range : 1 $\frac{3}{8}$ " to 1 $\frac{3}{4}$ " (35mm - 45mm) standard.
- Backset : Universal latch standard, fits either 2 $\frac{3}{8}$ " (60mm) or 2 $\frac{1}{4}$ " (70mm).
- Warranty : 3 year mechanical warranty.



# Tubular Leverset

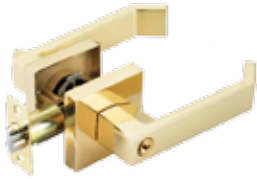
**SPECIFICATIONS:**

- Application : Residential single and multi-family doors.
- Certifications : Produce according to U.S. specifications.
- Exposed Trim : Wrought brass or Stainless Steel.  
Levers are zinc based plated to match finishes indicated.
- Keying : Schlage C Keyway. Locks are keyed 5-pin.
- Door Range : 1 $\frac{3}{8}$ " to 1 $\frac{3}{4}$ " (35mm - 45mm) standard.
- Backset : Universal latch standard, fits either 2 $\frac{3}{8}$ " (60mm) or 2 $\frac{1}{4}$ " (70mm).
- Warranty : 3 year mechanical warranty.
- Panic function



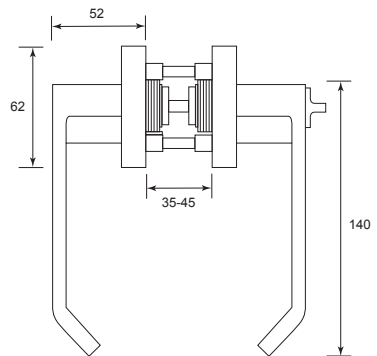
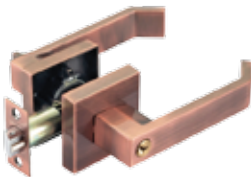
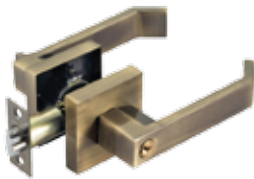


## Tubular Leverset

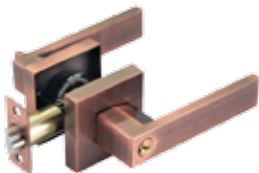
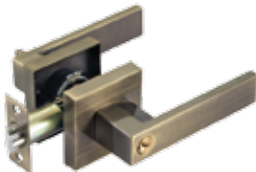
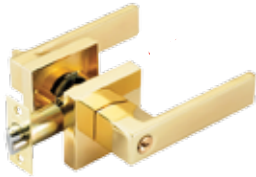


### SPECIFICATIONS:

- Application : Residential single and multi-family doors.
- Certifications : Produce according to U.S. specifications.
- Exposed Trim : Wrought brass or Stainless Steel.  
Levers are zinc based plated to match finishes indicated.
- Keying : Schlage C Keyway. Locks are keyed 5-pin.
- Door Range : 1 $\frac{3}{8}$ " to 1 $\frac{3}{4}$ " (35mm - 45mm) standard.
- Backset : Universal latch standard, fits either 2 $\frac{3}{8}$ " (60mm) or 2 $\frac{1}{4}$ " (70mm).
- Warranty : 3 year mechanical warranty.

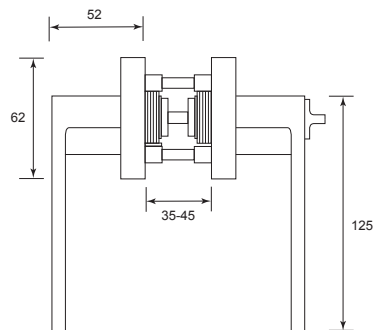


# Tubular Leverset



**SPECIFICATIONS:**

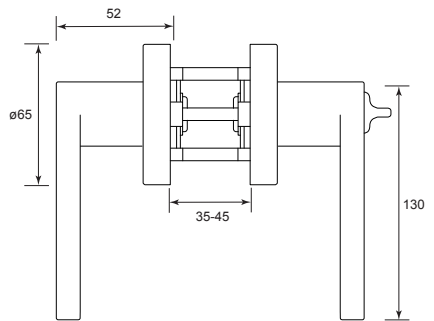
- Application : Residential single and multi-family doors.
- Certifications : Produce according to U.S. specifications.
- Exposed Trim : Wrought brass or Stainless Steel.  
Levers are zinc based plated to match finishes indicated.
- Keying : Schlage C Keyway. Locks are keyed 5-pin.
- Door Range : 1 $\frac{3}{8}$ " to 1 $\frac{3}{4}$ " (35mm - 45mm) standard.
- Backset : Universal latch standard, fits either 2 $\frac{3}{8}$ " (60mm) or 2 $\frac{3}{4}$ " (70mm).
- Warranty : 3 year mechanical warranty.



## Tubular Leverset NEW

### SPECIFICATIONS:

- Application : Residential single and multi-family doors.
- Certifications : Produce according to U.S. specifications.
- Exposed Trim : Wrought brass or Stainless Steel.  
Levers are zinc based plated to match finishes indicated.
- Keying : Schlage C Keyway. Locks are keyed 5-pin.
- Door Range : 1 $\frac{1}{8}$ " to 1 $\frac{1}{4}$ " (35mm - 45mm) standard.
- Backset : Universal latch standard, fits either 2 $\frac{3}{8}$ " (60mm) or 2 $\frac{1}{4}$ " (70mm).
- Warranty : 3 year mechanical warranty.

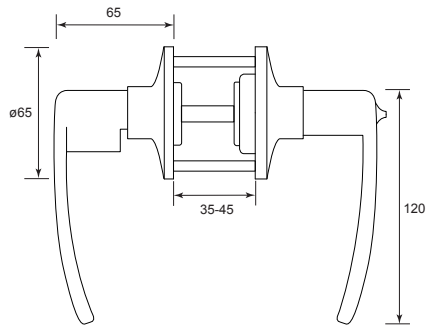
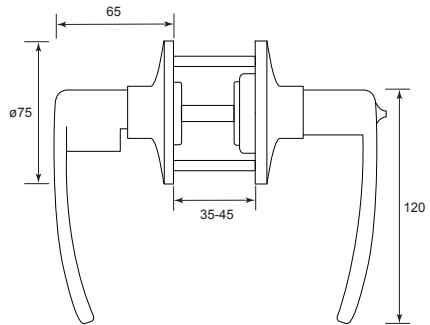


# Tubular Leverset



**SPECIFICATIONS:**

- Application : Residential single and multi-family doors.
- Certifications : Produce according to U.S. specifications.
- Exposed Trim : Wrought brass or Stainless Steel.  
Levers are zinc based plated to match finishes indicated.
- Keying : Schlage C Keyway. Locks are keyed 5-pin.
- Door Range : 1 $\frac{1}{8}$ " to 1 $\frac{3}{4}$ " (35mm - 45mm) standard.
- Backset : Universal latch standard, fits either 2 $\frac{3}{8}$ " (60mm) or 2 $\frac{1}{4}$ " (70mm).
- Warranty : 3 year mechanical warranty.

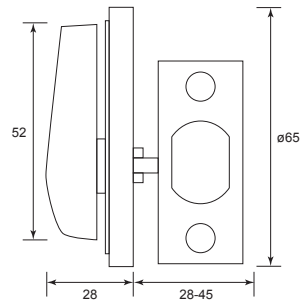


## Keyless Deadbolt



### SPECIFICATIONS:

- Application : Residential single and multi-family doors.
- Certifications : Produce according to U.S. specifications.
- Exposed Trim : Wrought brass or Stainless Steel.
- Door Range : 1 1/8" to 1 3/4" (28mm - 45mm) standard.
- Backset : Universal latch standard, fits either 2 3/8" (60mm) or 2 3/4" (70mm) backsets.
- Warranty : 3 year mechanical warranty.

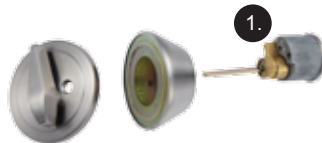
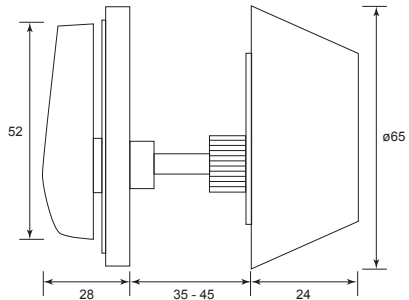


# Single Deadbolt



**SPECIFICATIONS:**

- Application : Residential single and multi-family doors.
- Certifications : Produce according to U.S. specifications.
- Exposed Trim : Wrought brass or Stainless Steel.
- Keying : Schlage C Keyway. Locks are keyed 5-pin.
- Door Range : 1 1/8" to 1 3/4" (35mm - 45mm) standard.
- Backset : Universal latch standard, fits either 2 3/8" (60mm) or 2 3/4" (70mm) backsets.
- Warranty : 3 year mechanical warranty.



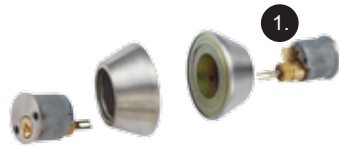
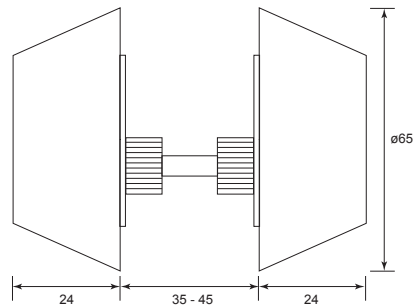
1. Solid brass key cylinder to prevent key cylinder knock out

## Double Deadbolt



### SPECIFICATIONS:

- Application : Residential single and multi-family doors.
- Certifications : Produce according to U.S. specifications.
- Exposed Trim : Wrought brass or Stainless Steel.
- Keying : Schlage C Keyway. Locks are keyed 5-pin.
- Door Range : 1 $\frac{3}{8}$ " to 1 $\frac{1}{4}$ " (35mm - 45mm) standard.
- Backset : Universal latch standard, fits either 2 $\frac{3}{8}$ " (60mm) or 2 $\frac{3}{4}$ " (70mm) backsets.
- Warranty : 3 year mechanical warranty.



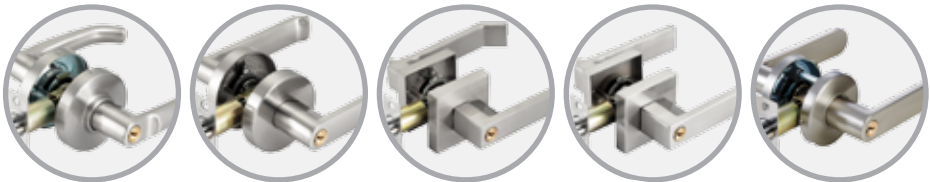
1. Solid brass key cylinder to prevent key cylinder knock out



## ADVANTAGES



- Using Stainless Steel SUS 304 material to prevent corrosion
- Recommended for basic master key system



- No sagging
- Made with the high quality raw material
- Recommended for basic master key system