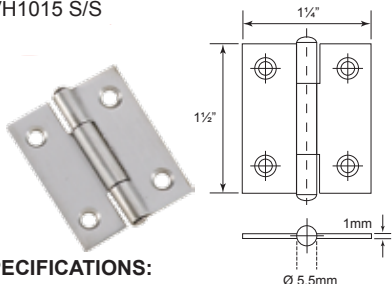




Revitted Hinges

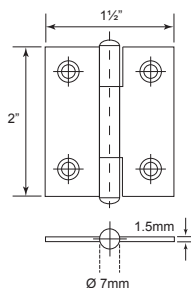
RVH1015 S/S



SPECIFICATIONS:

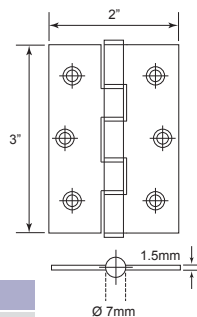
- For timber door
- Suitable for both left and right hand door
- Material : Stainless Steel SUS 304

RVH1520 S/S



Code No.	Height (H)	Width (W)	Thickness (T)	Finish
RVH1015	38mm/1 1/2"	32mm/1 1/4"	1mm	S/S
RVH1520	51mm/2"	38mm/1 1/2"	1.5mm	S/S

SH3215 S/S

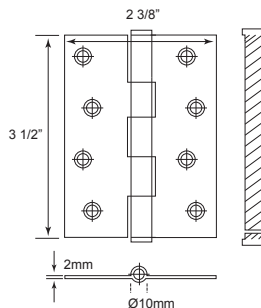


SPECIFICATIONS:

- For timber door
- Suitable for both left and right hand door
- Material : Stainless Steel SUS 304

Code No.	Height (H)	Width (W)	Thickness (T)	Finish
SH3215	76mm/3"	51mm/2"	1.5mm	S/S

SH35238



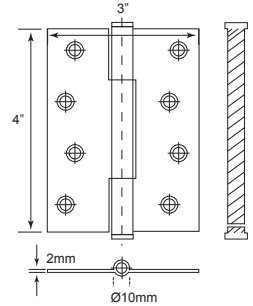
SPECIFICATIONS:

- For timber door
- Suitable for both left and right hand door
- Material : Stainless Steel SUS 304

Code No.	Height (H)	Width (W)	Thickness (T)	Finish
SH35238	89mm/3.5"	60mm/2 3/8"	2mm	S/S

Stainless Steel Hinges

SH303 S/S



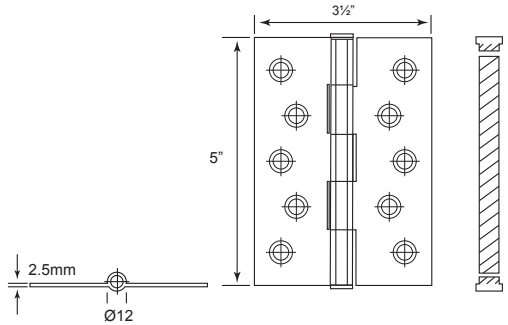
SPECIFICATIONS:

- For timber door
- Suitable for both left and right hand door
- Material : Stainless Steel SUS 304

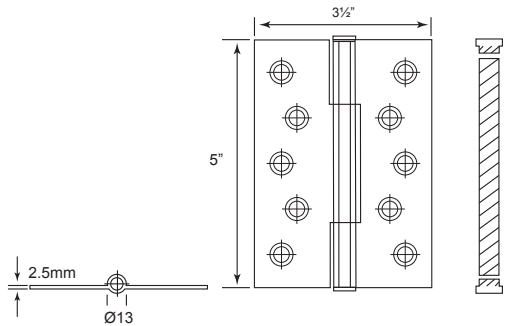
Code No.	Height (H)	Width (W)	Thickness (T)	Finish
SH303	102mm/4"	76mm/3"	2mm	S/S

NEW

SH25535FT S/S



SH505 S/S



SPECIFICATIONS:

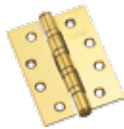
- For timber door
- Suitable for both left and right hand door
- Material : Stainless Steel SUS 304

Code No.	Height (H)	Width (W)	Thickness (T)	Finish
SH25535FT	127mm/5"	89mm/3 1/2"	2.5mm	S/S
SH505	127mm/5"	89mm/3 1/2"	2.5mm	S/S

Stainless Steel Hinges



SH2543FT4B S/S



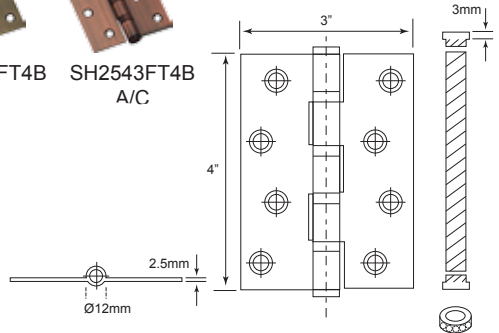
SH2543FT4B
PVD



SH2543FT4B
A/B



SH2543FT4B
A/C



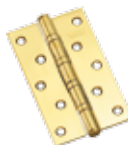
SPECIFICATIONS:

- For timber door
- With 4 ball bearings
- Suitable for both left and right hand door
- Material : Stainless Steel SUS 304

Code No.	Height (H)	Width (W)	Thickness (T)	Finish
SH2543FT4B	102mm/4"	76mm/3"	2.5mm	S/S, PVD, A/B A/C



SH2553FT4B S/S



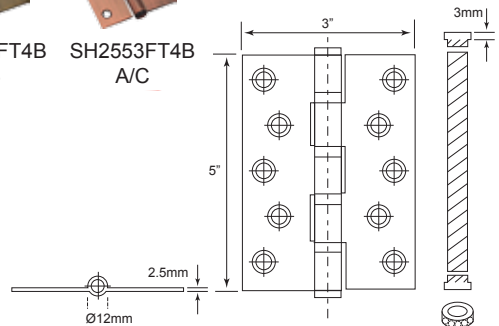
SH2553FT4B
PVD



SH2553FT4B
A/B



SH2553FT4B
A/C



SPECIFICATIONS:

- For timber door
- With 4 ball bearings
- Suitable for both left and right hand door
- Material : Stainless Steel SUS 304

Code No.	Height (H)	Width (W)	Thickness (T)	Finish
SH2553FT4B	127mm/5"	76mm/3"	2.5mm	S/S, PVD, A/B A/C

Stainless Steel Hinges



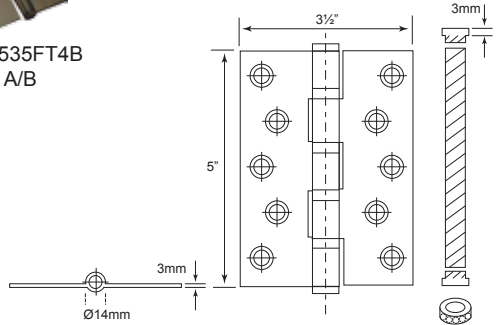
SH3535FT4B S/S



SH3535FT4B
PVD



SH3535FT4B
A/B



SPECIFICATIONS:

- For timber door
- With 4 ball bearings
- Suitable for both left and right hand door
- Material : Stainless Steel SUS 304

Code No.	Height (H)	Width (W)	Thickness (T)	Finish
SH3535FT4B	127mm/5"	89mm/3½"	3mm	S/S, PVD, A/B



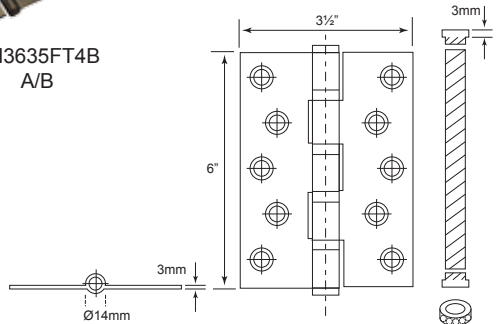
SH3635FT4B S/S



SH3635FT4B
PVD



SH3635FT4B
A/B



SPECIFICATIONS:

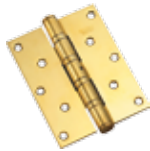
- For timber door
- With 4 ball bearings
- Suitable for both left and right hand door
- Material : Stainless Steel SUS 304

Code No.	Height (H)	Width (W)	Thickness (T)	Finish
SH3635FT4B	152mm/6"	89mm/3½"	3mm	S/S, PVD, A/B

Stainless Steel Hinges



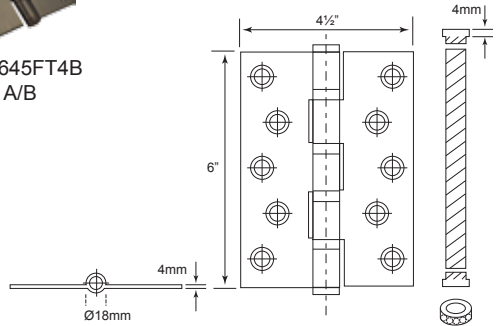
SH4645FT4B S/S



SH4645FT4B
PVD



SH4645FT4B
A/B



SPECIFICATIONS:

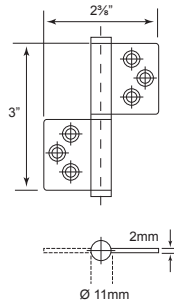
- For timber door
- With 4 ball bearings
- Suitable for both left and right hand door
- Material : Stainless Steel SUS 304

Code No.	Height (H)	Width (W)	Thickness (T)	Finish
SH4645FT4B	152mm/6"	114mm/4½"	4mm	S/S, PVD, A/B

Stainless Steel Flag Hinges



FH2533 S/S



SPECIFICATIONS:

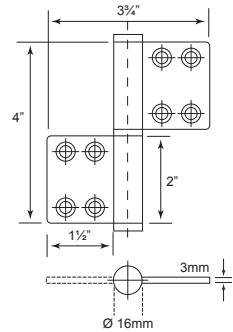
- For timber door
- Suitable for both left and right hand door
- Material : Stainless Steel SUS 304

Code No.	Height (H)	Width (W)	Thickness (T)	Finish
FH2533	76mm/3"	60mm/2⅜"	2mm	S/S

Stainless Steel Flag Hinges



FH3044 S/S



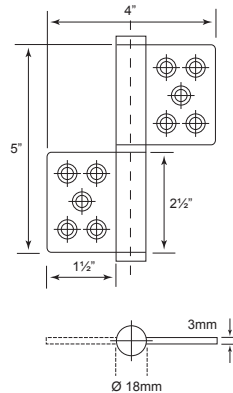
SPECIFICATIONS:

- For timber door
- Suitable for both left and right hand door
- Material : Stainless Steel SUS 304

Code No.	Height (H)	Width (W)	Thickness (T)	Finish
FH3044	102mm/4"	95mm/3 3/4"	3mm	S/S



FH3055 S/S



SPECIFICATIONS:

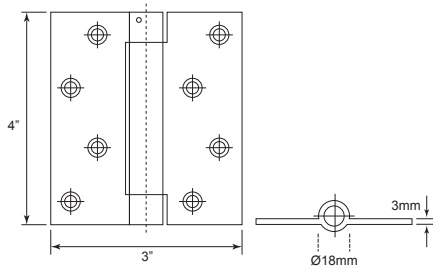
- For timber door
- Suitable for both left and right hand door
- Material : Stainless Steel SUS 304

Code No.	Height (H)	Width (W)	Thickness (T)	Finish
FH3055	127mm/5"	102mm/4"	3mm	S/S

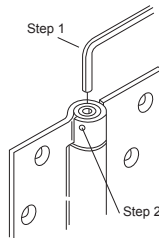
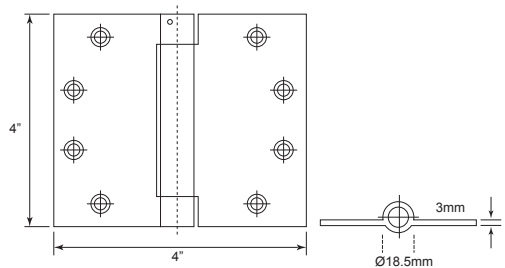
Stainless Steel Spring Hinges



SPH3043 S/S



SPH3044 S/S



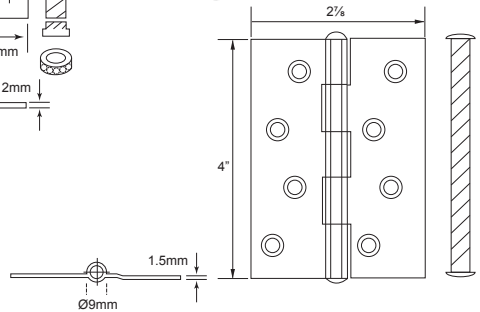
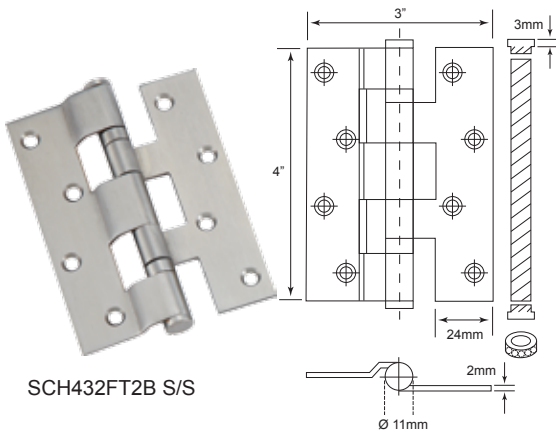
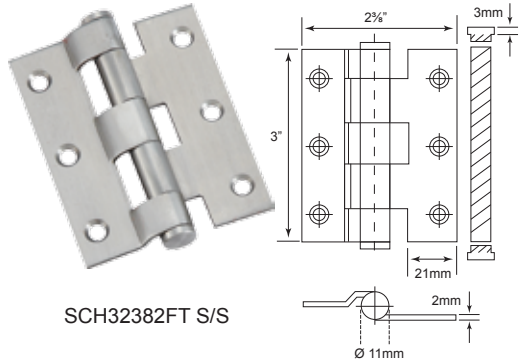
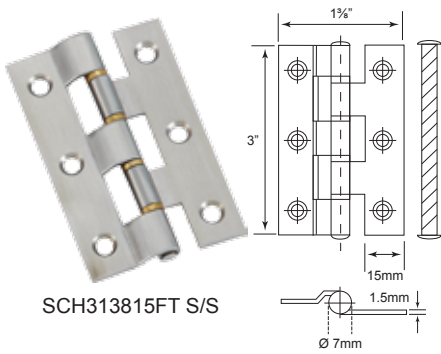
Step 1 = Adjust spring force using allen key
 Step 2 = Fixing of adjustment spring force with security pin

SPECIFICATIONS:

- For timber door
- Auto close after open
- Suitable for both left and right hand door
- Material : Stainless Steel SUS 304

Code No.	Height (H)	Width (W)	Thickness (T)	Finish
SPH3043	102mm/4"	76mm/3"	3mm	S/S
SPH3044	102mm/4"	102mm/4"	3mm	S/S

Stainless Steel One Leaf Crank Hinges



SPECIFICATIONS:

- For UPVC & Aluminium Door
- Suitable for both left and right hand door
- Material : Stainless Steel SUS 304

Code No.	Height (H)	Width (W)	Thickness (T)	Finish
SCH313815FT	76mm/3"	35mm/1 3/8"	1.5mm	S/S
SCH32382FT	76mm/3"	60mm/2 3/8"	2mm	S/S
SCH432FT2B	102mm/4"	76mm/3"	2mm	S/S
SCH4258	102mm/4"	70mm/2 7/8"	1.5mm	S/S

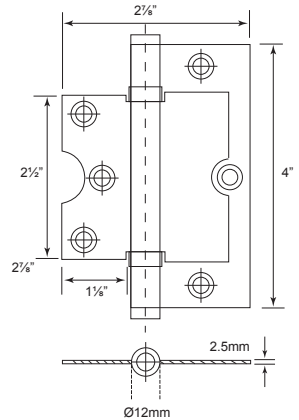
Stainless Steel Bi-Fold Hinges



BF102-SS2BB S/S

SPECIFICATIONS:

- For timber door
- With 2 ball bearings
- Suitable for both left and right hand door
- Material : Stainless Steel SUS 304



Code No.	Height (H)	Width (W)	Thickness (T)	Finish
BF102-SS2BB	102mm/4"	74mm/2 7/8"	2.5mm	S/S

Steel Bi-Fold Hinges



BF102 S/N

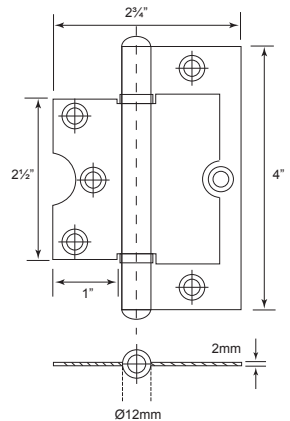
BF102 A/B

BF102 A/C

BF102 A/M

SPECIFICATIONS:

- For timber door
- Suitable for both left and right hand door
- Material : Steel



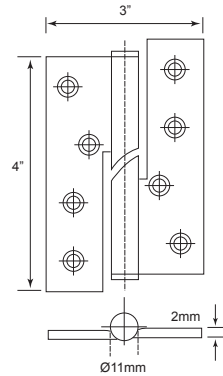
Code No.	Height (H)	Width (W)	Thickness (T)	Finish
BF102	102mm/4"	70mm/2 3/4"	2mm	S/N, A/B, A/C, A/M

Stainless Steel Rising Hinges

RH2043 S/S - RH



RH2043 S/S - LH

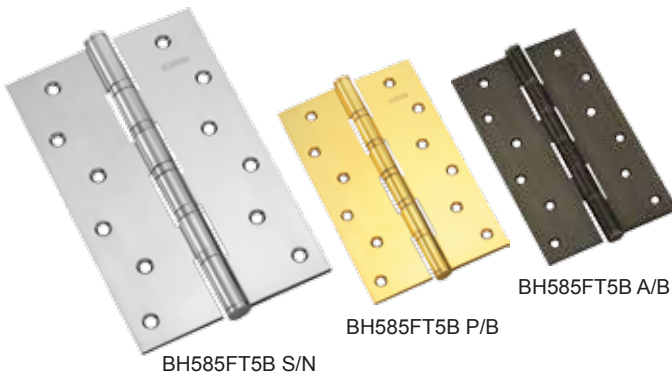


SPECIFICATIONS:

- For timber door
- Door return to auto-closing state after it was pulled or pushed, suitable for wash room aisle door.
- Material : Stainless Steel SUS 304

Code No.	Height (H)	Width (W)	Thickness (T)	Finish
RH2043 - RH	102mm/4"	76mm/3"	2mm	S/S
RH2043 - LH	102mm/4"	76mm/3"	2mm	S/S

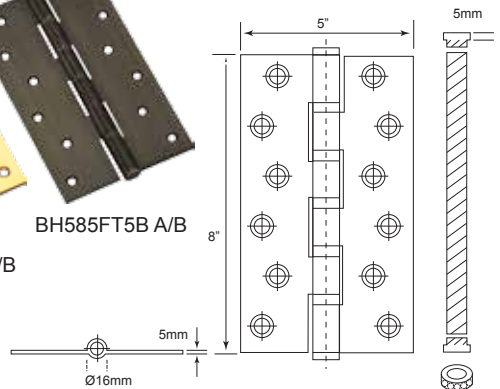
Brass Hinges



BH585FT5B S/N

BH585FT5B P/B

BH585FT5B A/B

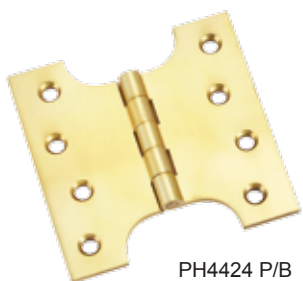


SPECIFICATIONS:

- For timber door
- With 5 ball bearings
- Suitable for both left and right hand door
- Material : Brass

Code No.	Height (H)	Width (W)	Thickness (T)	Finish
BH585FT5B	203mm/8"	127mm/5"	5mm	S/N, P/B, A/B

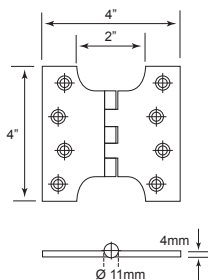
Parliament Brass Hinges



PH4424 P/B



PH4424 S/N



SPECIFICATIONS:

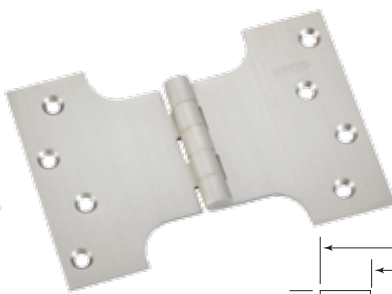
- For timber door
- Suitable for both left and right hand door
- Material : Brass

Code No.	Height (H)	Width (W)	Thickness (T)	Finish
PH4424	102mm/4"	102mm/4"	4mm	P/B, S/N

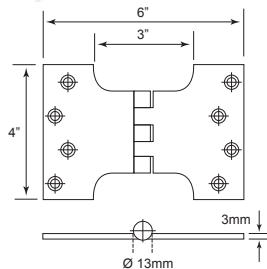
Parliament Brass Hinges



PH4633 P/B



PH4633 S/N

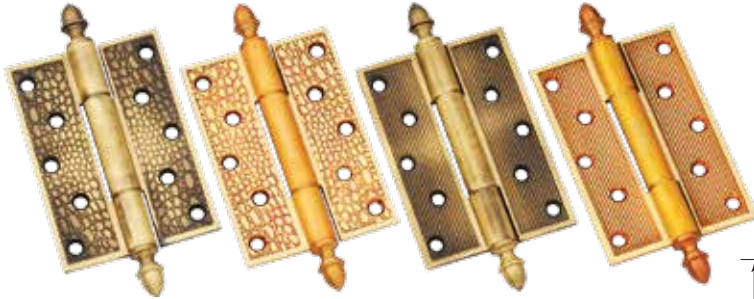


SPECIFICATIONS:

- For timber door
- Suitable for both left and right hand door
- Material : Brass

Code No.	Height (H)	Width (W)	Thickness (T)	Finish
PH4633	102mm/4"	152mm/6"	3mm	P/B, S/N

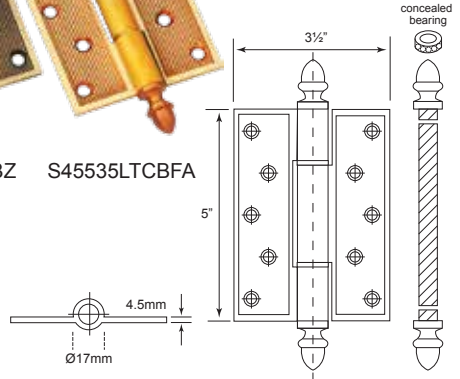
Classic Brass Hinges



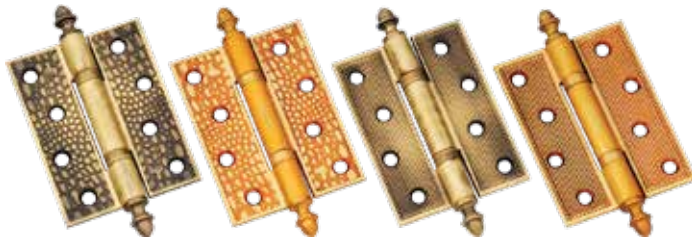
C45535LTCBSBZ C45535LTCBFA S45535LTCBSBZ S45535LTCBFA

SPECIFICATIONS:

- For timber door
- 2 Concealed Bearing
- Suitable for both left and right hand door
- Material : Brass



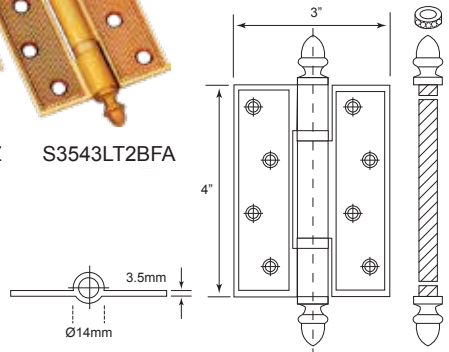
Code No.	Height (H)	Width (W)	Thickness (T)	Finish
C45535LTCB	127mm/5"	89mm/3 1/2"	4.5mm	SBZ, FA
S45535LTCB	127mm/5"	89mm/3 1/2"	4.5mm	SBZ, FA



C3543LT2BSBZ C3543LT2BFA S3543LT2BSBZ S3543LT2BFA

SPECIFICATIONS:

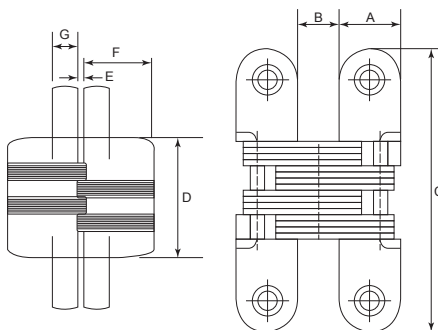
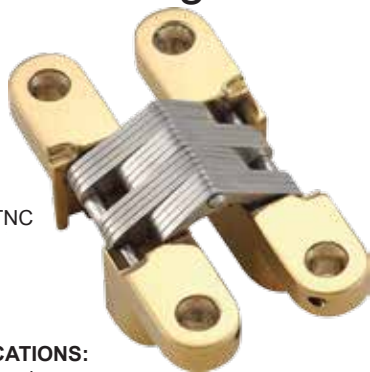
- For timber door
- 2 ball Bearing
- Suitable for both left and right hand door
- Material : Brass



Code No.	Height (H)	Width (W)	Thickness (T)	Finish
C3543LT2B	102mm/4"	76mm/3"	3.5mm	SBZ, FA
S3543LT2B	102mm/4"	76mm/3"	3.5mm	SBZ, FA

Conceal Hinges

CH9518 TNC



SPECIFICATIONS:

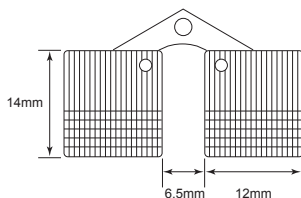
- For timber door
- Suitable for both left and right hand door
- Material : Zinc Alloy

Code No.	A	B	C	D	E	F	G	Finish
CH9518	19mm	13mm	95mm	51mm	1.2mm	27mm	9.5mm	TNC

Brass Conceal Hinges



CH12 P/B



SPECIFICATIONS:

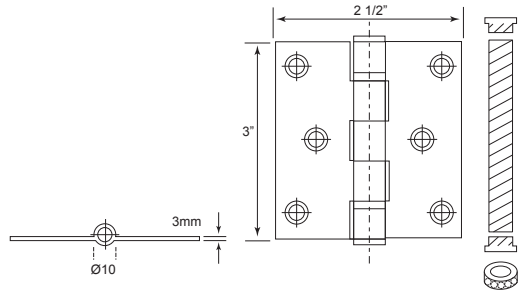
- For timber door
- Suitable for both left and right hand door
- Material : Brass

Code No.	A	B	C	Finish
CH12	12mm	14mm	6.5mm	P/B

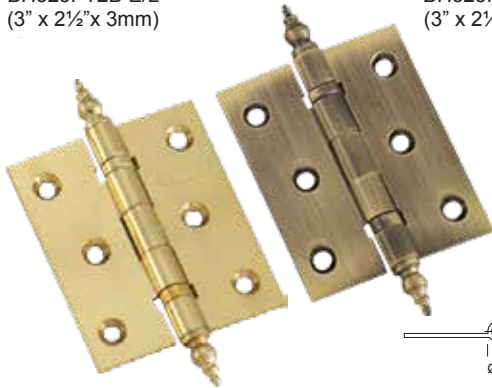
Brass Hinges



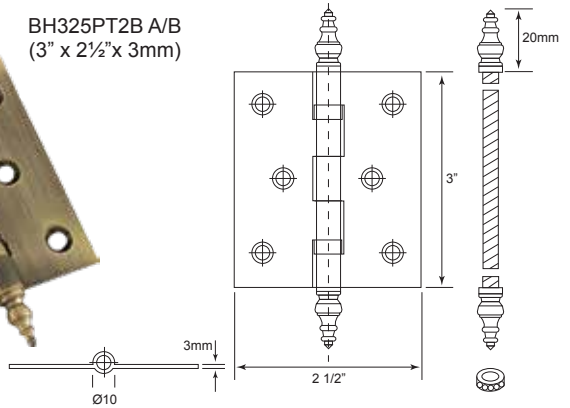
BH325FT2B E/L
(3" x 2 1/2" x 3mm)



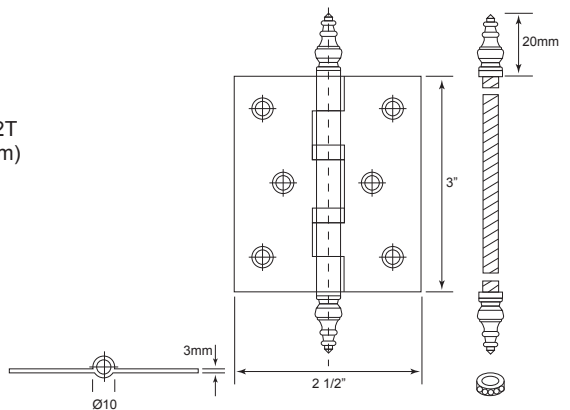
BH325PT2B E/L
(3" x 2 1/2" x 3mm)

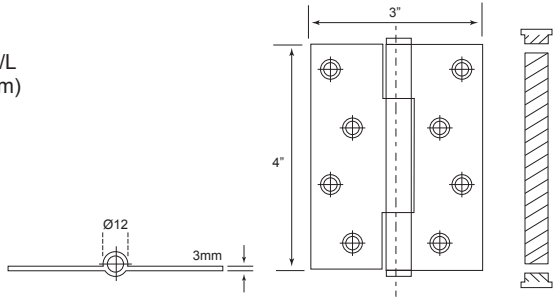
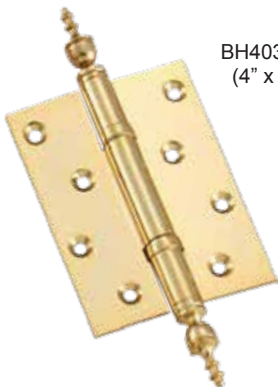
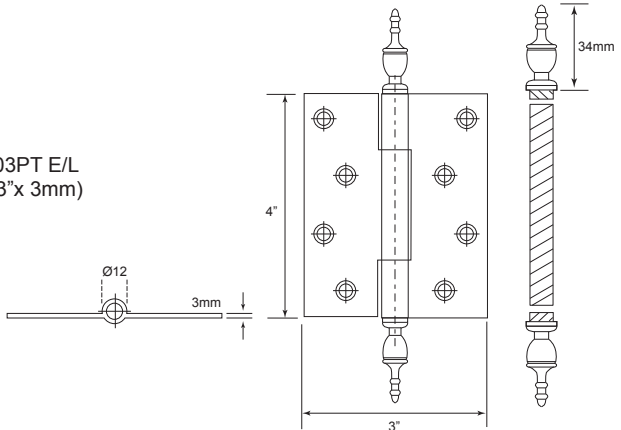
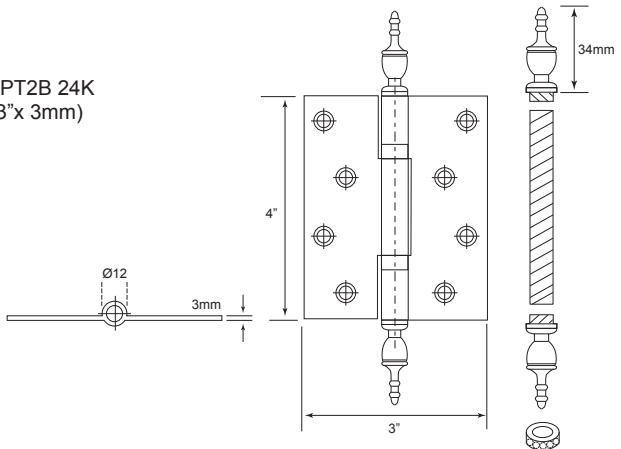


BH325PT2B A/B
(3" x 2 1/2" x 3mm)



BH325PT2B 2T
(3" x 2 1/2" x 3mm)

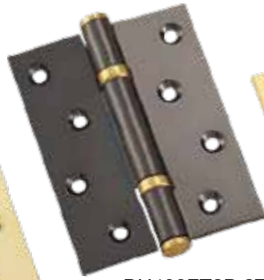


Brass Hinges**BH403FT E/L**
(4" x 3" x 3mm)**BH403PT E/L**
(4" x 3" x 3mm)**BH403PT2B 24K**
(4" x 3" x 3mm)

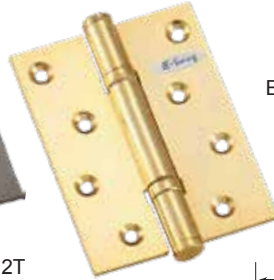
Brass Hinges



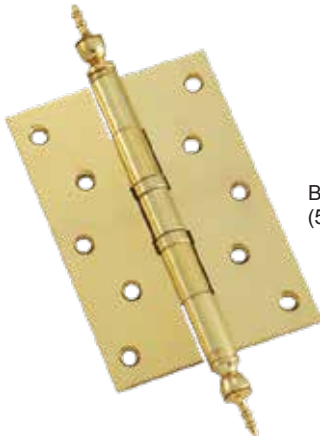
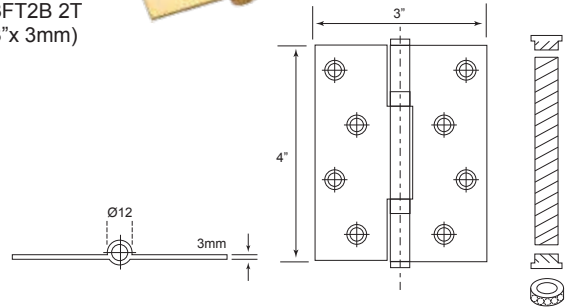
BH403FT2B E/L
(4" x 3"x 3mm)



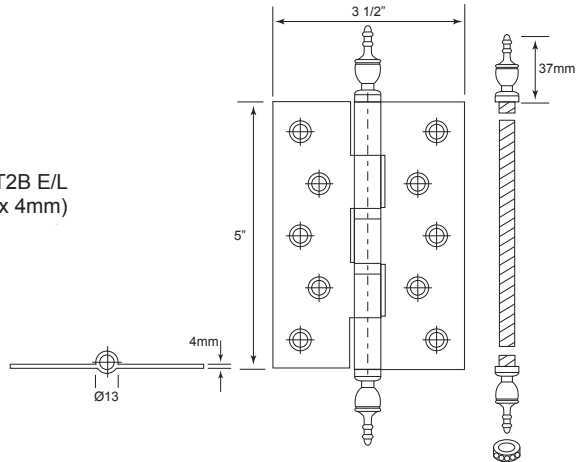
BH403FT2B 2T
(4" x 3"x 3mm)



BH403FT2B 24K
(4" x 3"x 3mm)



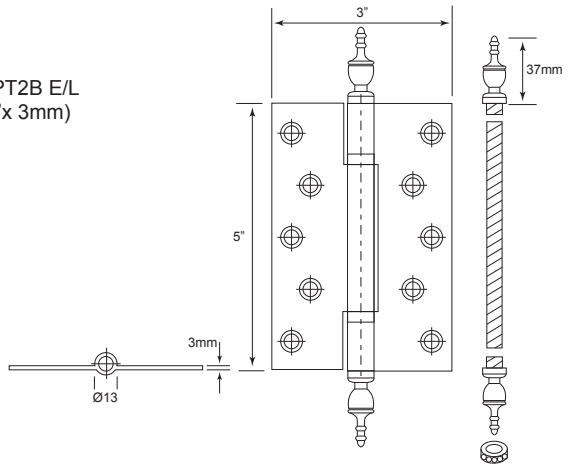
BH503PT2B E/L
(5" x 3 1/2"x 4mm)



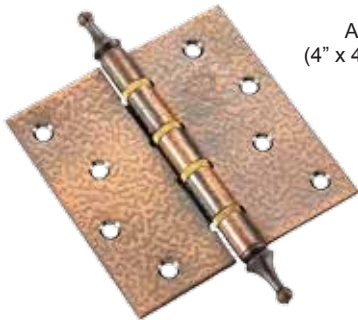
Brass Hinges



BH503PT2B E/L
(5" x 3" x 3mm)



Antique Hinges



AH44-9
(4" x 4" x 2.5mm)

