



BEYOND SECURITY

**KABA**®

# Mortice Locks

MS2 M Series, MS Series, Accessories



# MS2 M Series

## Mortice Lock



### Applications

For use on commercial and domestic, timber and metal hinged doors, where self-latching is required.

### Construction

Case, cover and faceplate are constructed of 304 grade stainless steel. The lock hubs, latchbolt and auxiliary latch are constructed of high grade sintered stainless steel. Springs are of high grade spring steel.

### Backset

Standard 60mm backset

### Handing and Functions

The MS2 M Series lock body is non-handed to suit left hand or right hand inswing or outswing doors and functions are easily changeable on site. For convenience, handed functions can be ordered from factory and are supplied with turn adaptors and cams (refer to functions). Cylinders and furniture sold separately.

### Door Thickness

32mm to 50mm as standard. Thicker door kits are available on application.

### Door Preparation

The MS2 M Series fits a standard 120mm x 87mm x 20mm (25mm faceplate) mortice.

### Latchbolt

14mm latchbolt, including a separate auxiliary deadlatch with a 9.5mm projection.

### Door Gap

To facilitate latch retraction and maintain lock security the gap between the faceplate and the strike plate should not be less than 3mm or greater than 4.0mm.

### Strikes

Universal "T" shape strike plate as standard. For convenience the MS2 M Series is supplied with 1 standard lip strike (32mm) and 1 x short lip strike (25mm) to suit the partition frames.

### Anti-Lockout (Kick Off)

This function is built into the MS2 M Series lock and can be easily activated or de-activated. Primary lock is supplied de-activated; refer to functions for further information.

### Cylinder

Standard Kaba 130 type oval shaped cylinder (refer to cam options for functions).

### Hold Back

The MS2 M Series offers a latch hold back function via a 130 cylinder with a hold back cam (CAMH) ordered separately, with or without cylinder.

### Rebate Kits

Rebate kits are available as accessory to convert the MS2 M Series lock or latch into a rebated unit (refer to accessory section).

### Fabricator Kits

Fabricator kits are available as accessory to accommodate installation on metal/aluminium doors and frames (refer to accessory section).

### Electric Strikes

The Kaba MS2 M Series with latch is compatible with most common electric strikes.

### Security

Kaba MS2 M Series lock conformsto level SL8 (Physical Security) in accordance with Australian lock standard AS4145.2-2008.

### Durability

Kaba MS2 M Series lock conforms to level D8 (Durability) in accordance with Australian lock standard AS4145.2-2008.

### Note

All tests to Australian standards were performed by an independent NATA accredited laboratory.

### Fire Rating

The Kaba MS2 M Series has been successfully tested on fire door assemblies in accordance with AS1905 Part 1: Fire resistant doorsets.

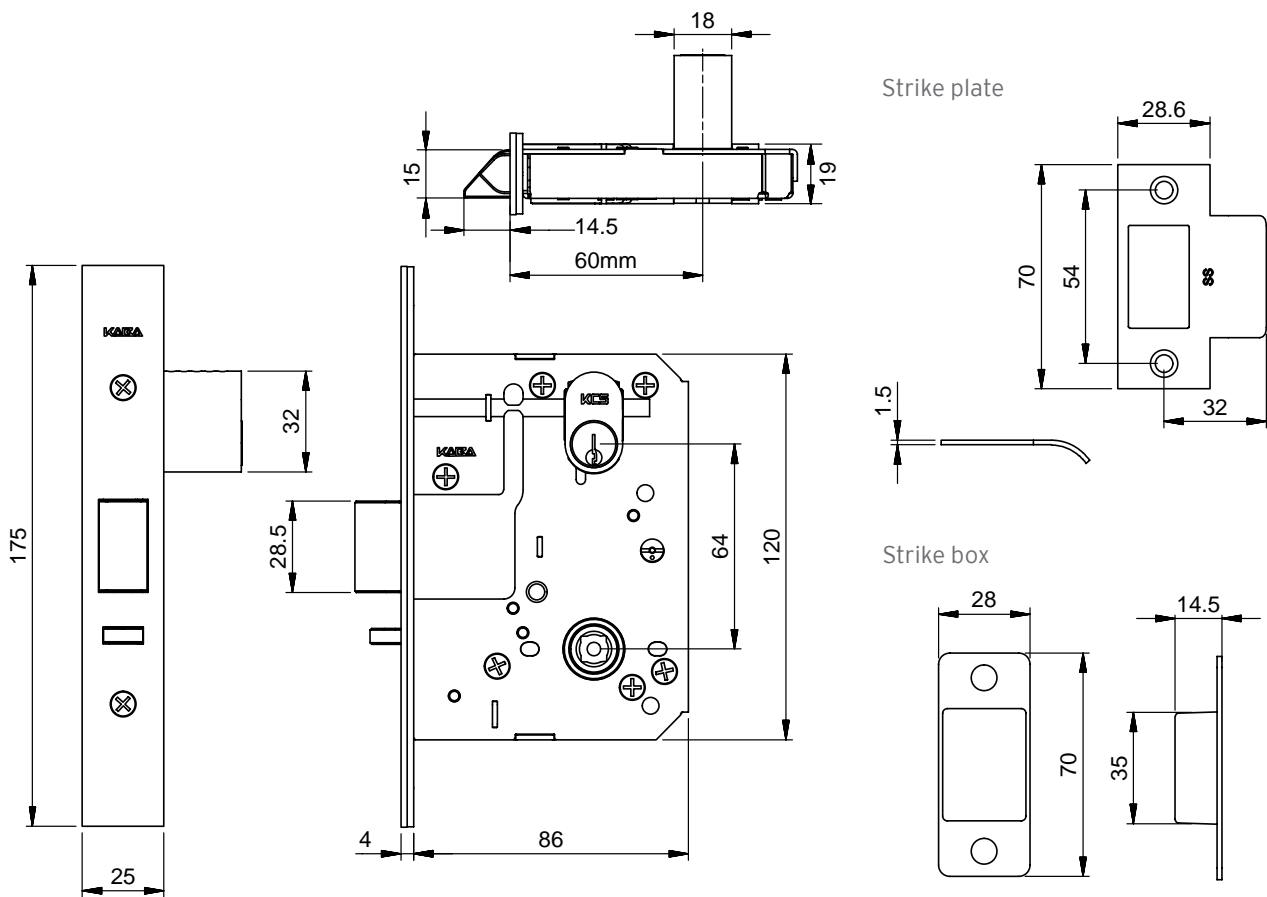
Note:

Doors in an escape path require free egress and lever furniture to allow escape in direction of travel.





## MS2 M Series Mortice Lock





## MS2 M Series Standard Box Pack

New dead latch trigger  
 Enhanced operation by handle  
 Increased security features  
 Radius edge face plate, better suited for metal door installations (radius edge face plate available as accessory).  
 Conforms to AS4145.2 for Security and Durability - independently tested by NATA accredited laboratory  
 Fire rated up to 4 hours

### Pack Contents

1 x Lock Assembly	2 x Face Plate Screws
1 x Strike Plate	2 x Fixing Screws
1 x K Adaptor	1 x Face Plate
2 x Split Spindle	2 x Cylinder Retaining Pin
2 x Split Spindle Spring	2 x Strike Screws

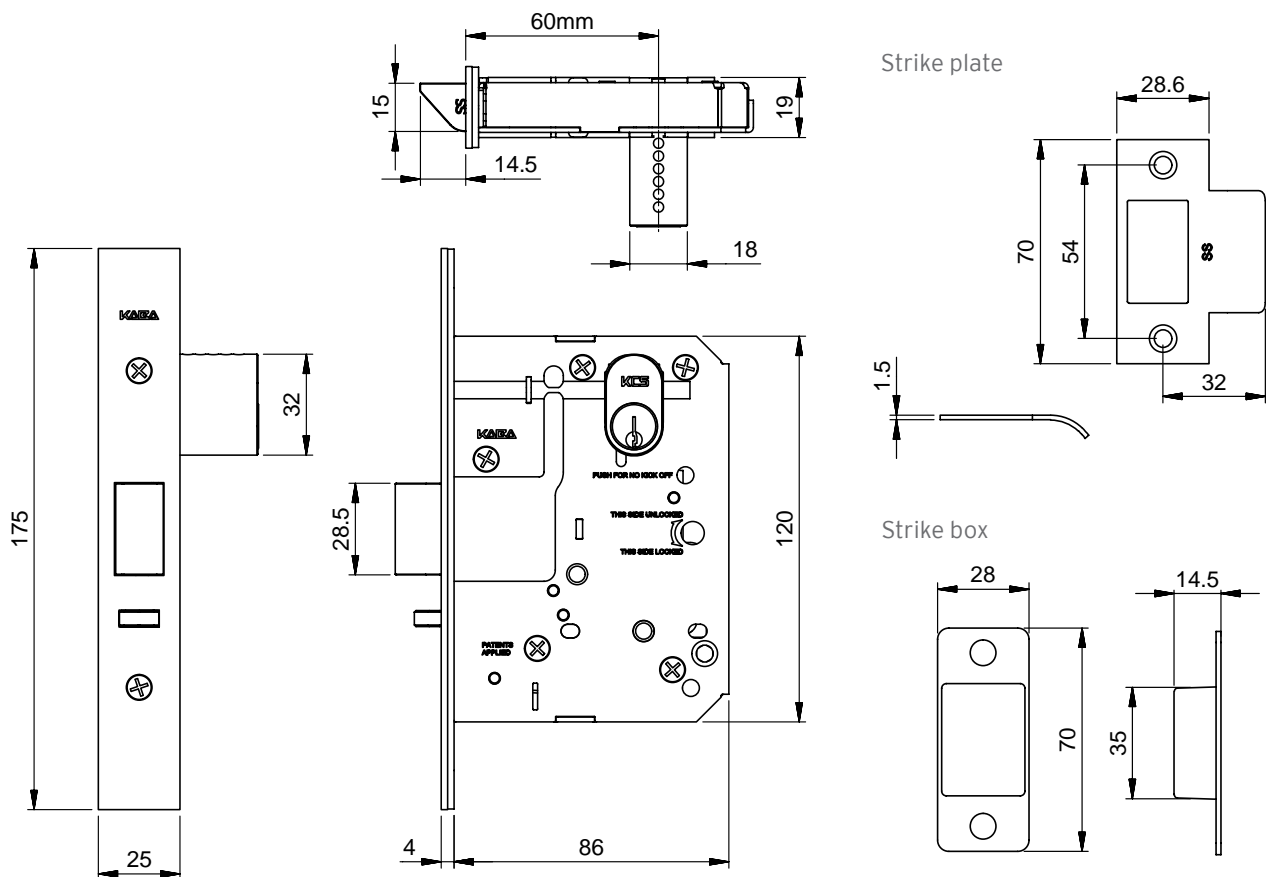
### Note:

Case does not need to be opened at anytime to change function or handing of this lock.

PRODUCT CODE	FINISH	DESCRIPTION
MS2SSS	SSS	MS2SSS M Series Mortice Lock
MS2PSS	PSS	MS2PSS M Series Mortice Lock



## MS4 Series Mortice Lock





## MS4 Series Standard Nightlatch Box Pack

Heavy-duty range  
Stainless steel construction  
Easily reversible

### Pack Contents

1 x Lock Assembly	1 x Face Plate
1 x Strike Plate	1 x Strike Box
2 x Cylinder Retaining Pin	2 x Strike Screws
2 x Face Plate Screws	2 x Fixing Screws

### Note:

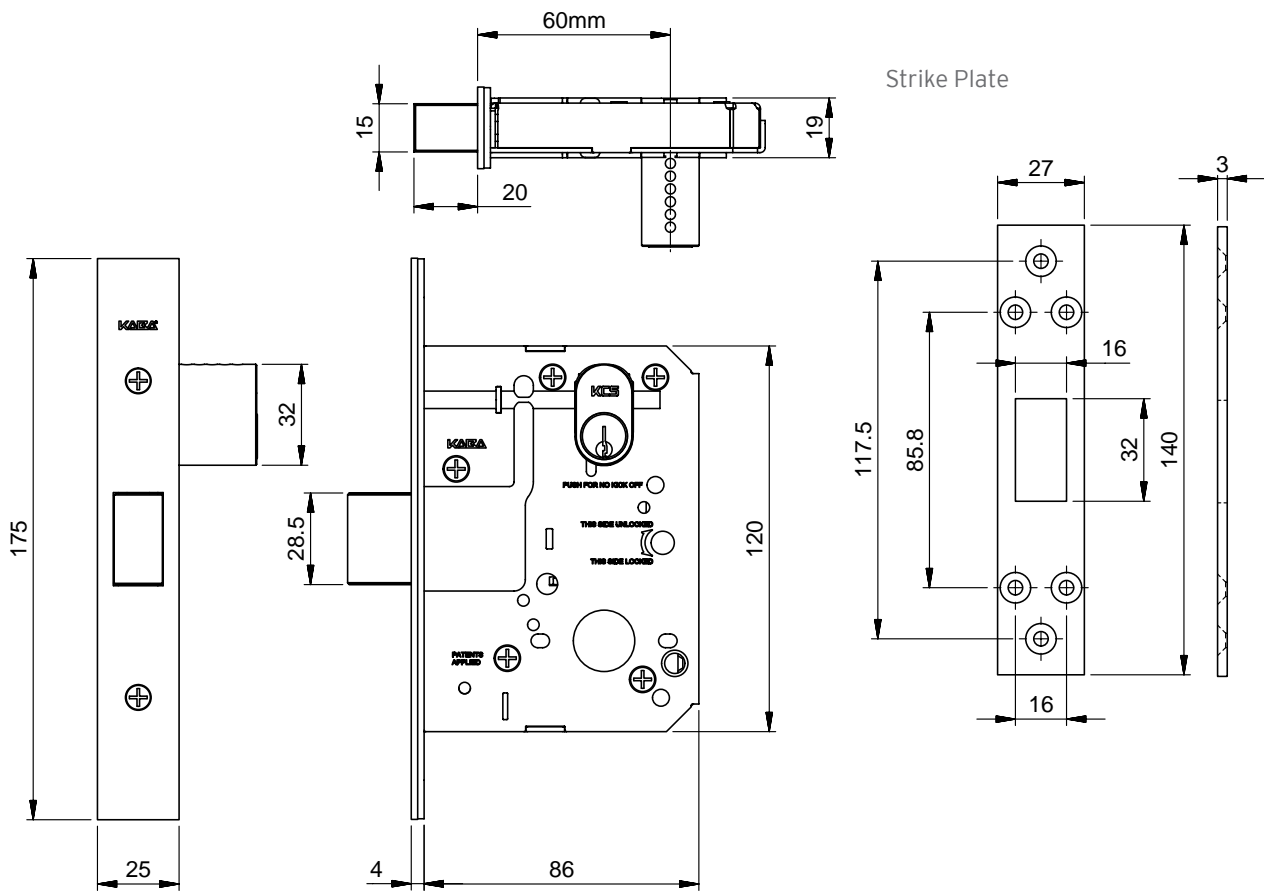
Case does not need to be opened at anytime to change function or handing of this lock.

PRODUCT CODE	FINISH	DESCRIPTION
MS4SCP	SCP	MS 4 Primary Mortice Lock
MS4CP	CP	MS 4 Primary Mortice Lock





## MS5 Series Mortice Lock





## MS5 Series Standard Deadbolt Box Pack

Heavy duty mortice lock  
 Stainless steel construction  
 20mm bolt throw  
 S3-D3 rated

### Pack Contents

1 x Lock Assembly	2 x Face Plate Screws
1 x Strike Plate	6 x Strike Screws
2 x Cylinder Retaining Pin	2 x Fixing Screws
1 x Face Plate	

### Note:

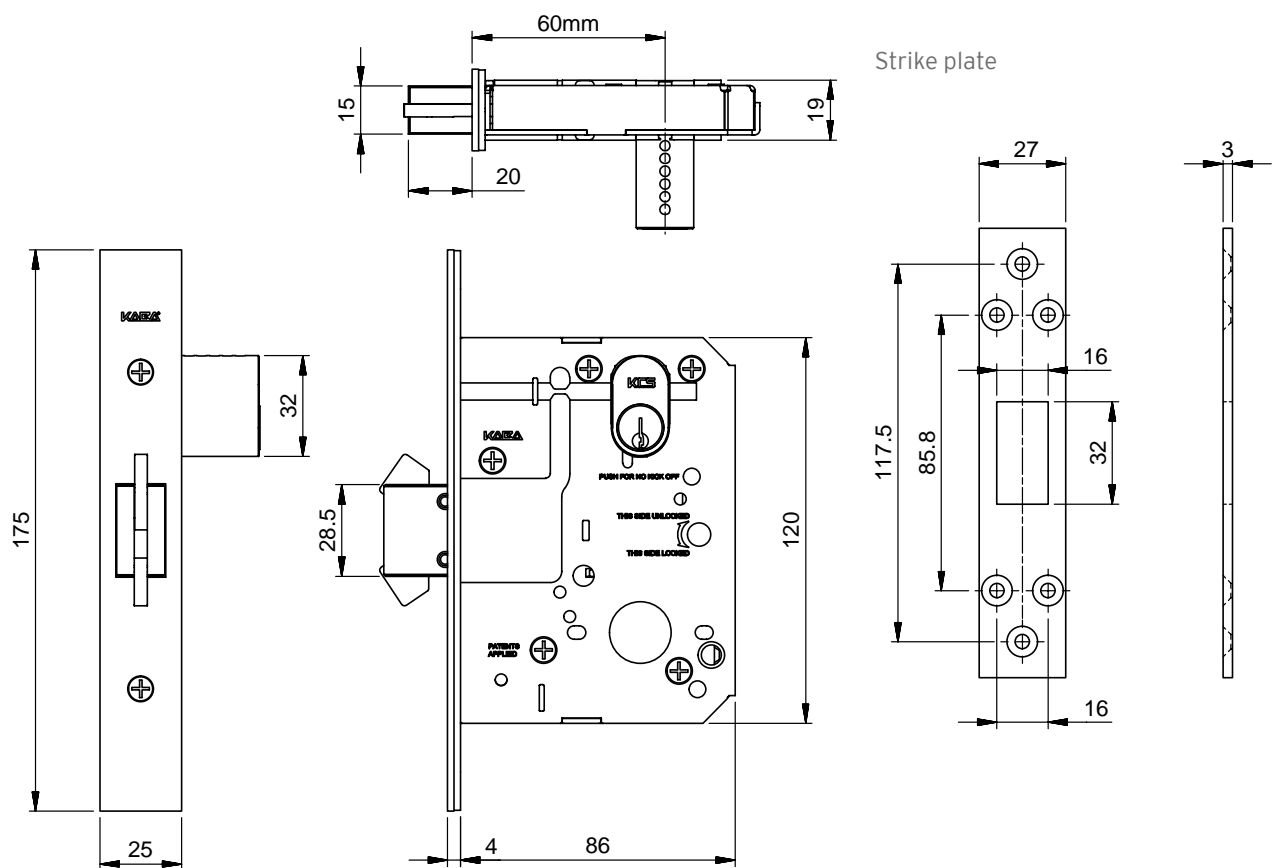
Case does not need to be opened at anytime to change function or handing of this lock.

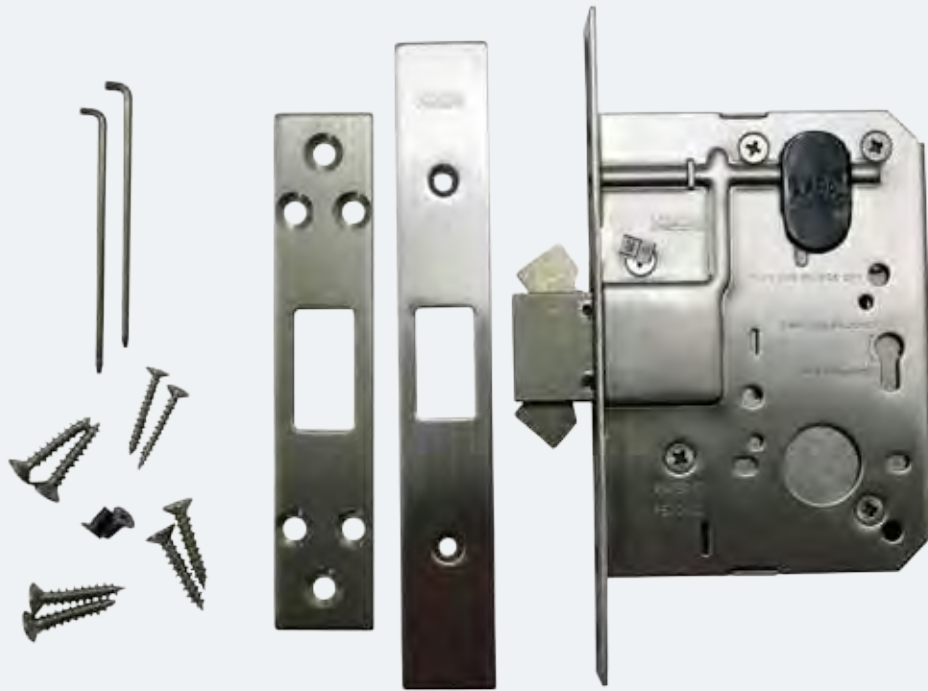
PRODUCT CODE	FINISH	DESCRIPTION
MS5SCP	SCP	MS 5 Primary Mortice Lock
MS5CP	CP	MS 5 Primary Mortice Lock





## MS6 Series Mortice Lock





## MS6 Series Standard Sliding Door Box Pack

Heavy duty mortice lock  
 Stainless steel construction  
 20mm bolt throw  
 S3-D3 rated

### Pack Contents

1 x Lock Assembly	2 x Face Plate Screws
1 x Strike Plate	6 x Strike Screws
2 x Cylinder Retaining Pin	2 x Fixing Screws
1 x Face Plate	

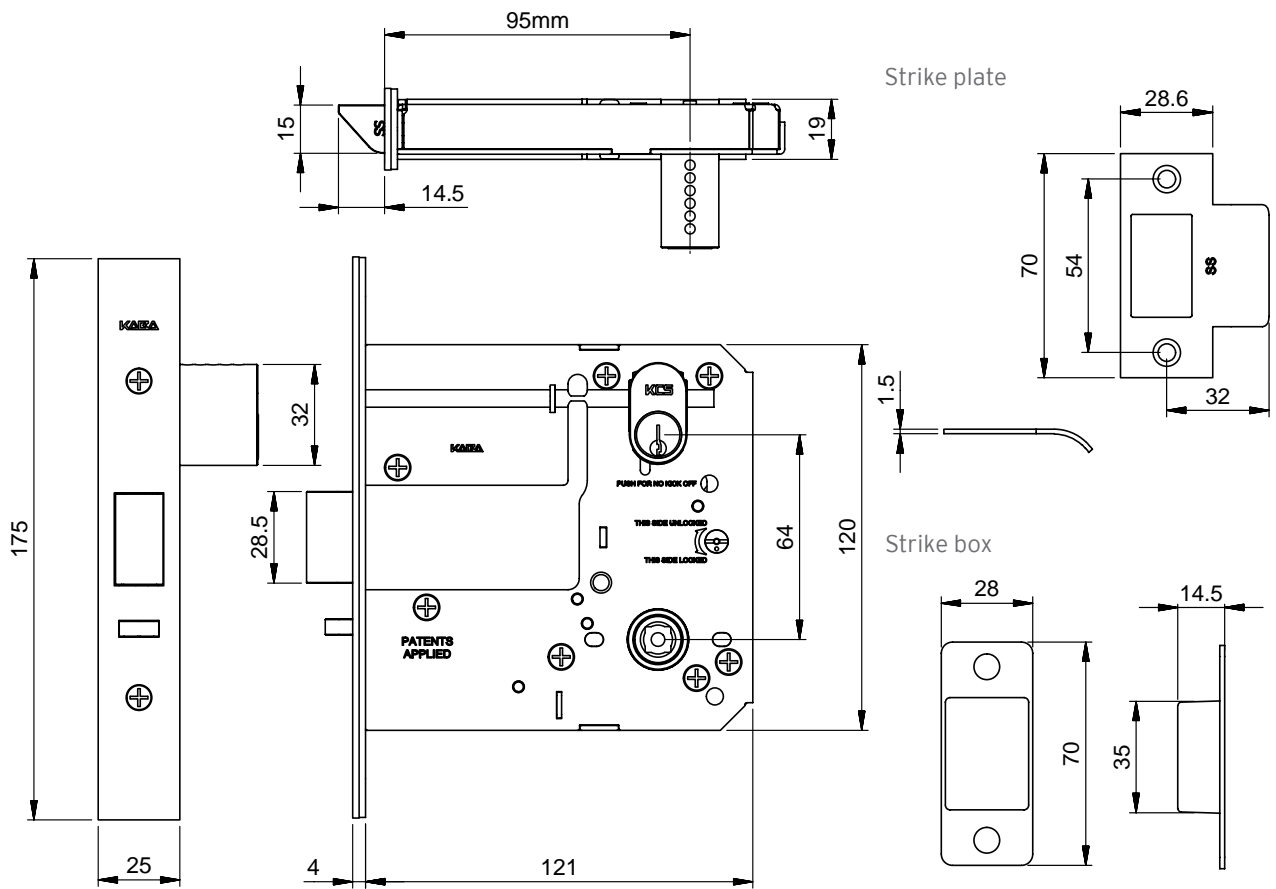
### Note:

Case does not need to be opened at anytime to change function or handing of this lock.

PRODUCT CODE	FINISH	DESCRIPTION
MS6SCP	SCP	MS 6 Series Mortice Lock
MS6CP	CP	MS 6 Series Mortice Lock



## MS7 Series Mortice Lock





## MS7 Series Standard Box Pack - 95mm Backset

Heavy duty mortice lock  
 Stainless steel construction  
 Conforms to level S8-D8 according to AS4145.2 - Security and durability  
 Easily reversible  
 Kick-off options built in (anti lockout)  
 Fire rated up to 4 hours

### Pack Contents

1 x Lock Assembly	2 x Face Plate Screws
1 x Strike Plate	2 x Fixing Screws
1 x K Adaptor	1 x Face Plate
2 x Split Spindle	2 x Cylinder Retaining Pin
2 x Split Spindle Spring	2 x Strike Screws
1 x Strike Box	

### Note:

Case does not need to be opened at anytime to change function or handing of this lock.

PRODUCT CODE	FINISH	DESCRIPTION
MS7SCP	SCP	MS7 Primary Mortice Lock
MS7CP	CP	MS7 Primary Mortice Lock